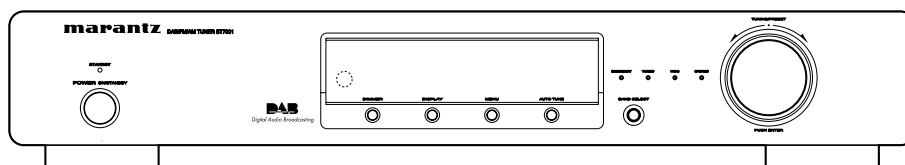


Service Manual

ST7001 /N1B/N1S

DAB / FM / AM Tuner



DAB
Digital Audio Broadcasting

TABLE OF CONTENTS

SECTION	PAGE
1. TECHNICAL SPECIFICATIONS	1
2. FACTORY / SERVICE MODE	2
3. WRITING MAIN MICROPROCESSOR PROCEDURE	3
4. UPDATE DAB MICROPROCESSOR PROCEDURE	12
5. WIRING DIAGRAM	21
6. BLOCK DIAGRAM	23
7. SCHEMATIC DIAGRAM	25
8. PARTS LOCATION	29
9. MICROPROCESSOR AND IC DATA	35
10. EXPLODED VIEW AND PARTS LIST	43
11. ELECTRICAL PARTS LIST	46

Please use this service manual with referring to the user guide (D.F.U.) without fail.
修理の際は、必ず取扱説明書を準備し操作方法を確認の上作業を行ってください。

marantz®

ST7001

Part no. 90M46BW855010
First Issue 2005.08
MZ

ST7001

MARANTZ DESIGN AND SERVICE

Using superior design and selected high grade components, **MARANTZ** company has created the ultimate in stereo sound. Only original **MARANTZ** parts can insure that your **MARANTZ** product will continue to perform to the specifications for which it is famous.

Parts for your **MARANTZ** equipment are generally available to our National Marantz Subsidiary or Agent.

ORDERING PARTS :

Parts can be ordered either by mail or by Fax.. In both cases, the correct part number has to be specified.

The following information must be supplied to eliminate delays in processing your order :

1. Complete address
2. Complete part numbers and quantities required
3. Description of parts
4. Model number for which part is required
5. Way of shipment
6. Signature : any order form or Fax. must be signed, otherwise such part order will be considered as null and void.

USA

MARANTZ AMERICA, INC
1100 MAPLEWOOD DRIVE
ITASCA, IL. 60143
USA
PHONE : 630 - 741 - 0300
FAX : 630 - 741 - 0301

EUROPE / TRADING

MARANTZ EUROPE B.V.
P. O. BOX 8744, BUILDING SILVERPOINT
BEEMDSTRAAT 11, 5653 MA EINDHOVEN
THE NETHERLANDS
PHONE : +31 - 40 - 2507844
FAX : +31 - 40 - 2507860

CANADA

MARANTZ CANADA INC.
5-505 APPLE CREEK BLVD.
MARKHAM, ONTARIO L3R 5B1
CANADA
PHONE : 905 - 415 - 9292
FAX : 905 - 475 - 4159

AUSTRALIA

QualiFi Pty Ltd,
24 LIONEL ROAD,
MT. WAVERLEY VIC 3149
AUSTRALIA
PHONE : +61 - (0)3 - 9543 - 1522
FAX : +61 - (0)3 - 9543 - 3677

THAILAND

MRZ STANDARD CO., LTD
746 - 754 MAHACHAI ROAD.,
WANGBURAPAPIROM, PHRANAKORN,
BANGKOK, 10200 THAILAND
PHONE : +66 - 2 - 222 9181
FAX : +66 - 2 - 224 6795

SINGAPORE

WO KEE HONG DISTRIBUTION PTE LTD
No.1 JALAN KILANG TIMOR
#08-03 PACIFIC TECH CENTRE
SINGAPORE 159303
PHONE : +65 6376 0338
FAX : +65 6376 0166

NEW ZEALAND

WILDASH AUDIO SYSTEMS NZ
14 MALVERN ROAD MT ALBERT
AUCKLAND NEW ZEALAND
PHONE : +64 - 9 - 8451958
FAX : +64 - 9 - 8463554

TAIWAN

PAI- YUING CO., LTD.
6 TH FL NO, 148 SUNG KIANG ROAD,
TAIPEI, 10429, TAIWAN R.O.C.
PHONE : +886 - 2 - 25221304
FAX : +886 - 2 - 25630415

MALAYSIA

WO KEE HONG ELECTRONICS SDN. BHD.
2ND FLOOR BANGUNAN INFINITE CENTRE
LOT 1, JALAN 13/6, 46200 PETALING JAYA
SELANGOR DARUL EHSAN, MALAYSIA
PHONE : +60 - 3 - 7954 8088
FAX : +60 - 3 - 7954 7088

JAPAN *Technical*

D&M Holdings Inc.
35- 1, 7- CHOME, SAGAMIONO
SAGAMIHARA - SHI, KANAGAWA
JAPAN 228-8505
PHONE : +81 42 748 1013
FAX : +81 42 741 9190

株式会社 ティーアンドエムホールディングス

本 社 〒228-8505
神奈川県相模原市相模大野7-35-1

KOREA

MARANTZ KOREA CO., LTD.
ROOM 604, ELECTRO OFFICE, 16-58,
HANGGANG-RO 3GA, YONGSAN-KU,
SEOUL, 140-013, KOREA
PHONE : +82 - 2 - 323 - 2155
FAX : +82 - 2 - 323 - 2154

SHOCK, FIRE HAZARD SERVICE TEST :

CAUTION : After servicing this appliance and prior to returning to customer, measure the resistance between either primary AC cord connector pins (with unit NOT connected to AC mains and its Power switch ON), and the face or Front Panel of product and controls and chassis bottom.

Any resistance measurement less than 1 Megohms should cause unit to be repaired or corrected before AC power is applied, and verified before it is return to the user/customer.

In case of difficulties, do not hesitate to contact the Technical Department at above mentioned address.

2. FACTORY / SERVICE MODE

A. FACTORY MODE

To reset all settings to default status, follow the procedure below.

1. Connect mains cord to the unit while pressing **DIMMER** and **DISPLAY** button. (**DIMMER** and **DISPLAY** button are pushed 3 seconds or more.)
2. The unit becomes the setup of default automatically.

B. SERVICE MODE

Micromrocessor and DAB software Version check

- 1) Connect mains cord to the unit while pressing **MENU** and **DISPLAY** button.
- 2) All Segments of FLD will be light ON.

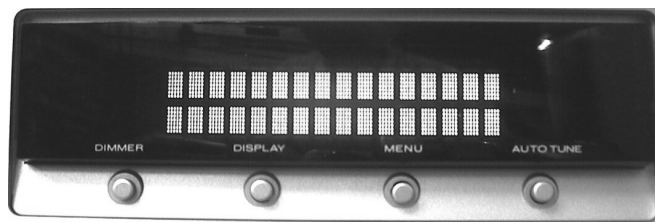
A. FACTORY モード

1. **DIMMER** ボタンと **DISPLAY** ボタンを押しながら電源コードを接続します。約3秒以上ボタンを押します。
2. 自動的に出荷時の設定になります。

B. SERVICE モード

Microprocessor と DAB software VERSION 確認

- 1) **MENU** ボタンと **DISPLAY** ボタンを押しながら電源コードを接続します。
- 2) FLD が全点灯します。



- 3) Turn **TUNING/PRESET** Knob clockwise or counter clockwise. VIRSION is displayed on FLD.

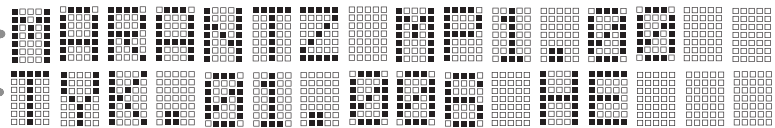
Ex. :

- 3) **TUNING/PRESET** ツマミを回転させると各バージョンが表示されます。

表示例 :

Main Microprocessor VERSION →

DAB Software VERSION →



- 4) To exit Service mode, turn off the power switch and disconnect mains cord.

- 4) サービスモードの解除は、電源を切り電源コードを外します。

3. WRITING MAIN MICROPROCESSOR PROCEDURE

NECESSARY EQUIPMENT

- Windows PC (OS : Windows2000 or WindowsXP) with Serial Port
 - RS-232C Cable straight type (9 Pin male - 9 Pin female)
 - Connection JIG : ST-7001 DAB/MICOM UPGRADE BOARD (90M-ST7001JIG)
 - Writing software (flashprog16lx-v01111.exe)
 - Writing data (Marantz_DABxxxx.mhx)
- NOTE: xx is a revision number.

必要機器

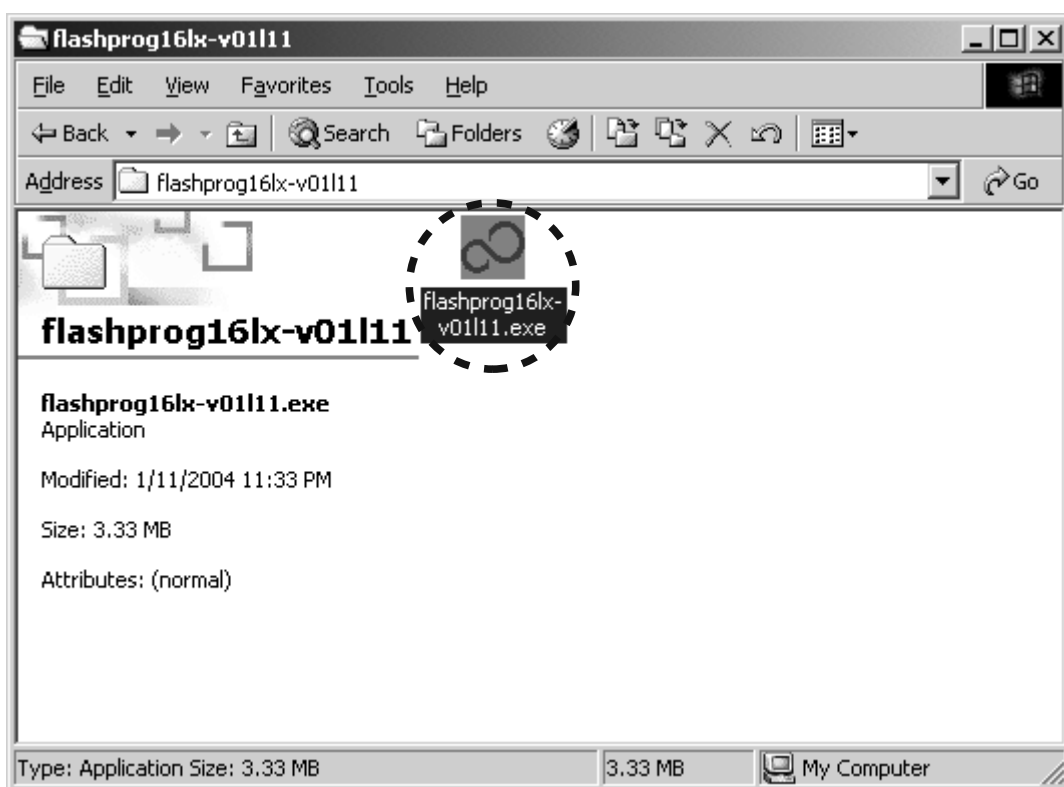
- Windows PC (OS : Windows2000 または WindowsXP) で Serial ポートのあるもの
- RS-232C ストレートケーブル (9Pin オス -9Pin メス)
- 接続治具 : ST-7001 DAB/MICOM UPGRADE BOARD (90M-ST7001JIG)
- 書き込み用ソフトウェア (flashprog16lx-v01111.exe)
- 書き込み用データ (Marantz_DABxxxx.mhx)

INSTALL PROCEDURE

Double click **flashprog16lx-v01111.exe**.

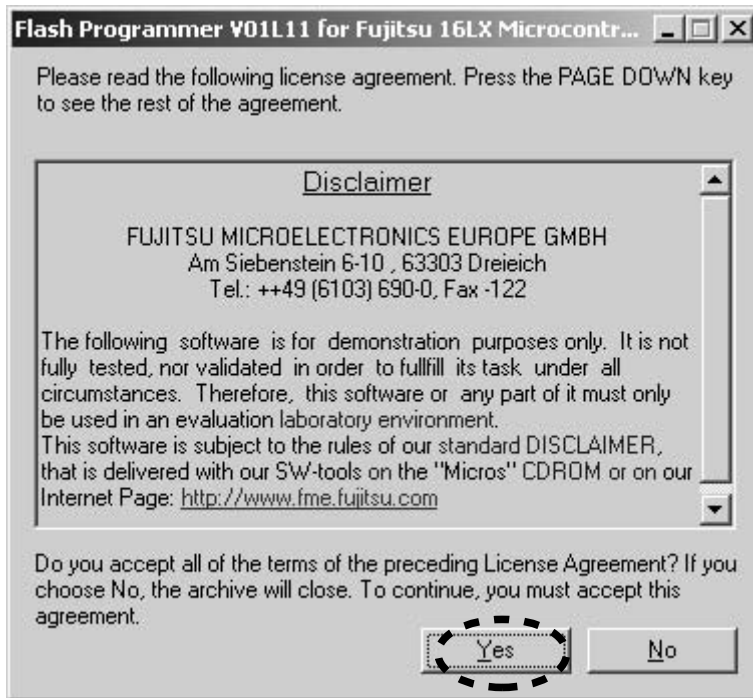
インストール手順

flashprog16lx-v01111.exe をダブルクリックします。



Click **Yes**.

Yes をクリックします。



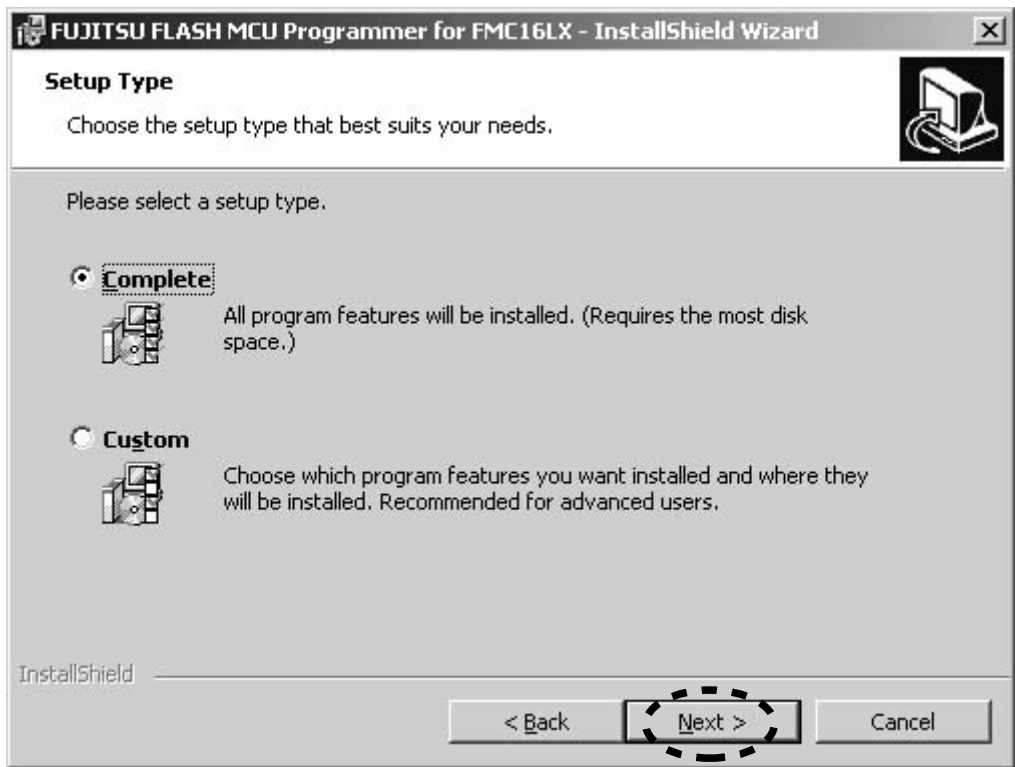
Click **Next**.

Next をクリックします。



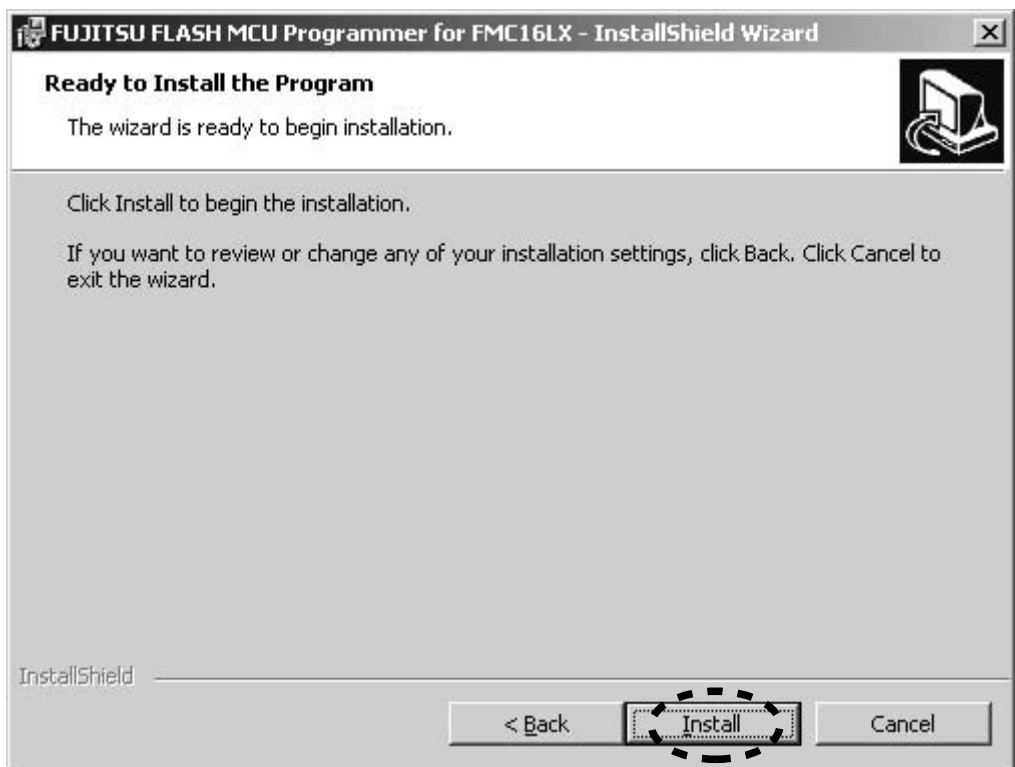
Check **Complete**, and click **Next**.

Complete にチェックを入れて **Next** をクリックします。



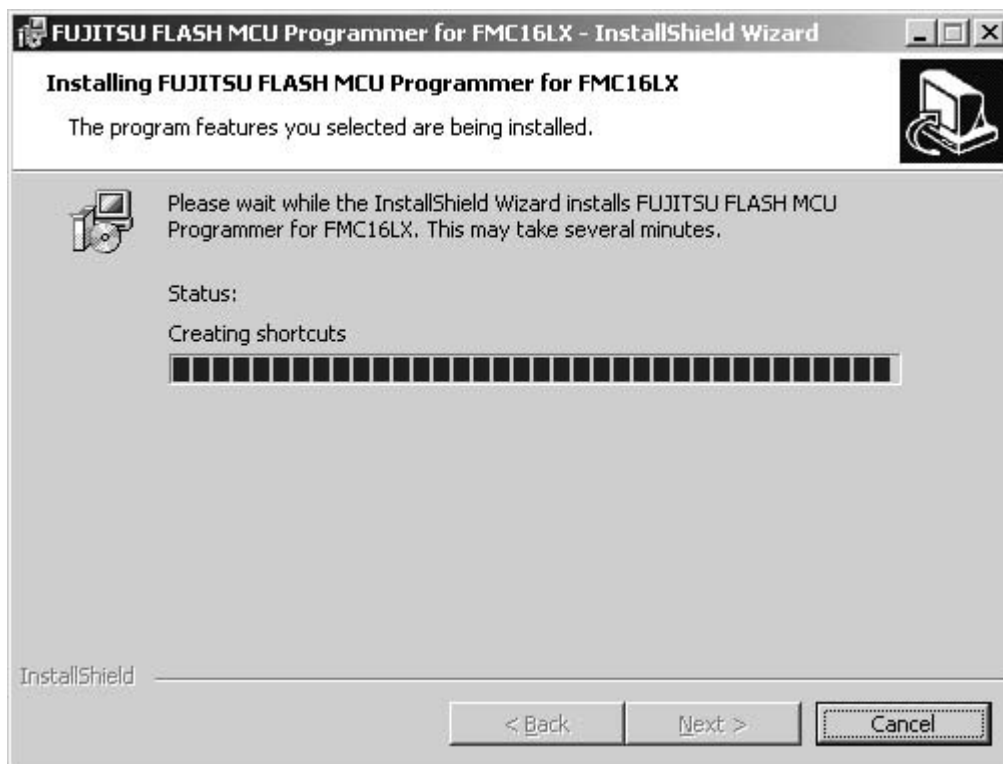
Click **Install**.

Install をクリックします。



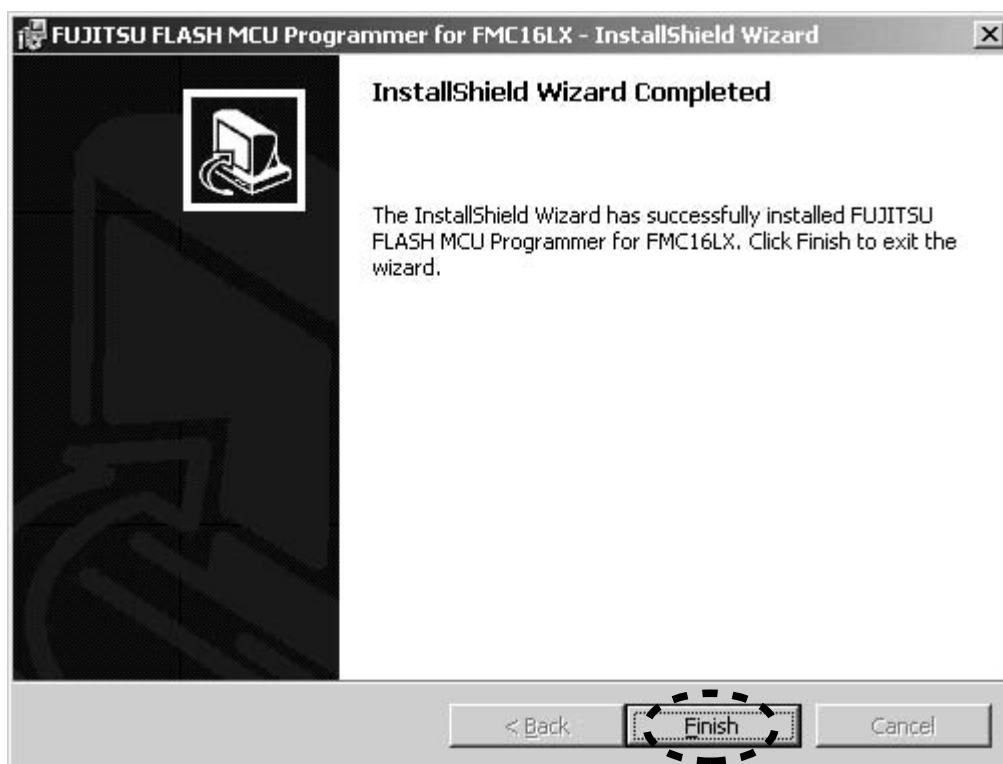
The status bar appears.

インストールが開始します。



Click **Finish**.

Finish をクリックします。

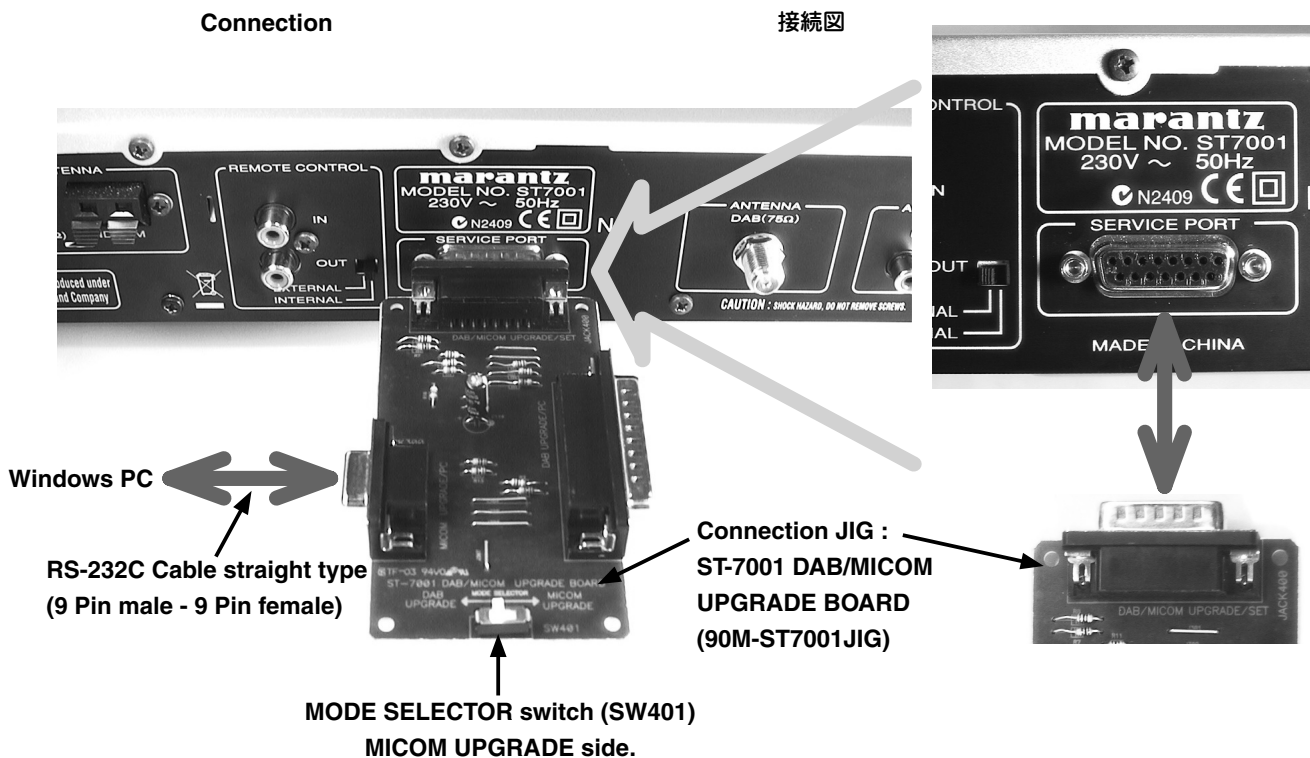


WRITING PROCEDURE

Disconnect the mains cord from the unit.
 Connect RS-232C on the connection JIG and Serial Port of windows PC with RS-232C cable.
 Turn the MODE SELECTOR switch (SW401) of Connection JIG to the MICOM UPGRADE side.
 Connect the connection JIG to SERVICE PORT in the rear panel of the unit.
 Connect mains cord to the unit.
 Launch up the FUJITSU Flash MCU Programmer (FMC16LX).

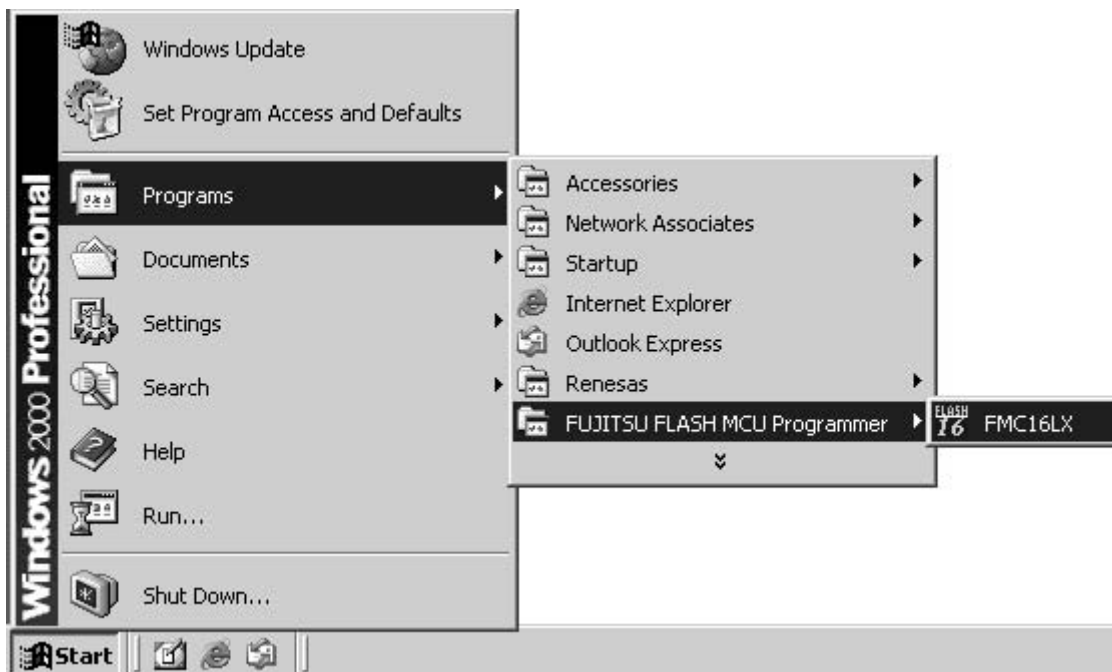
書き込み手順

本機の電源ケーブルを抜きます。
 Windows PC の Serial Port と接続治具を RS-232C ケーブルで接続します。
 接続治具の MODE SELECTOR スイッチ (SW401) を MICOM UPGRADE 側に切替えます。
 接続治具を本体のリアパネルにある SERVICE PORT に接続します。
 本体の電源ケーブルを差し込みます。



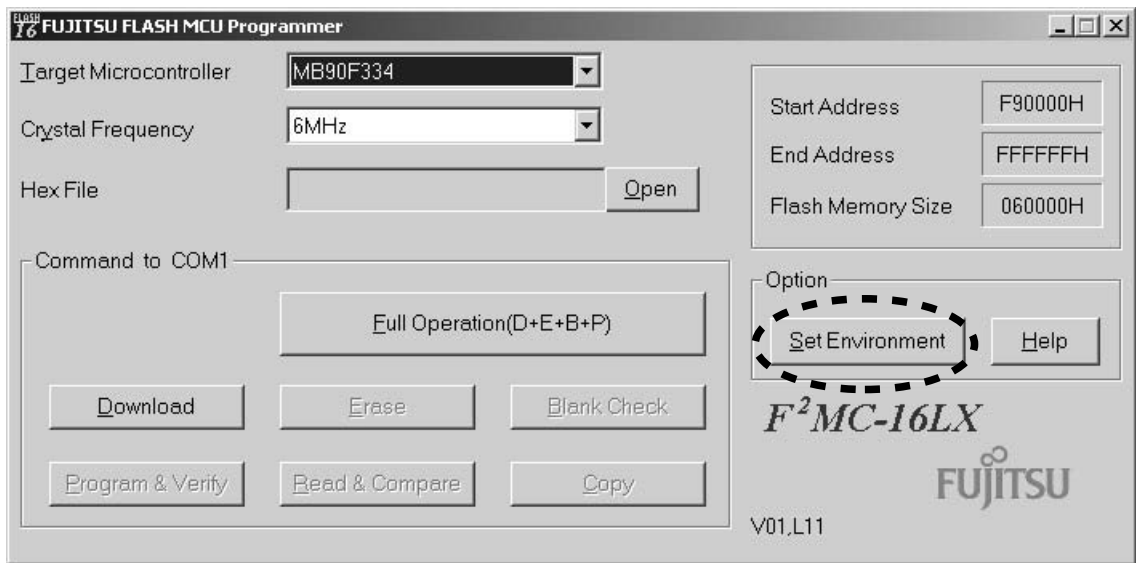
Click **Start**, **programs**, **FUJITSU FLASH MCU Programmer** and **FMC16LX**.

Start → **programs** → **FUJITSU FLASH MCU Programmer** → **FMC16LX** をクリックして起動します。



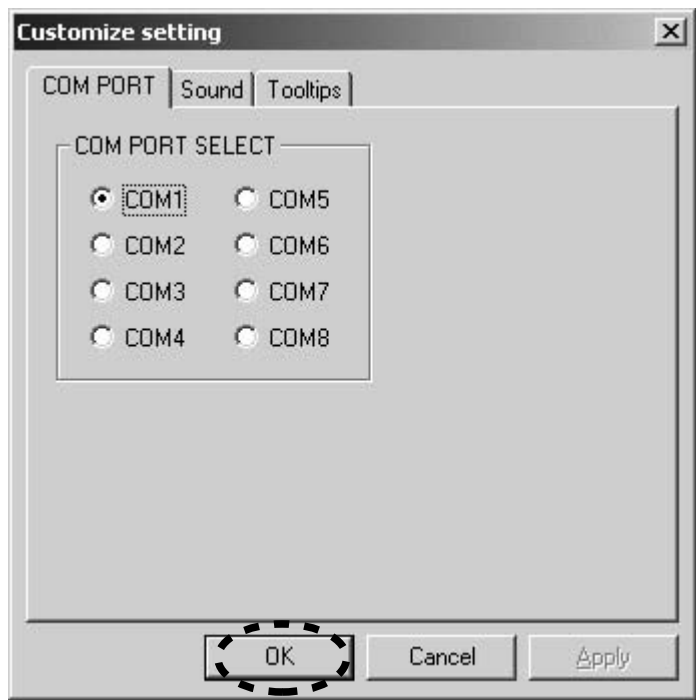
Click **Set Environment**.

Set Environment をクリックします。



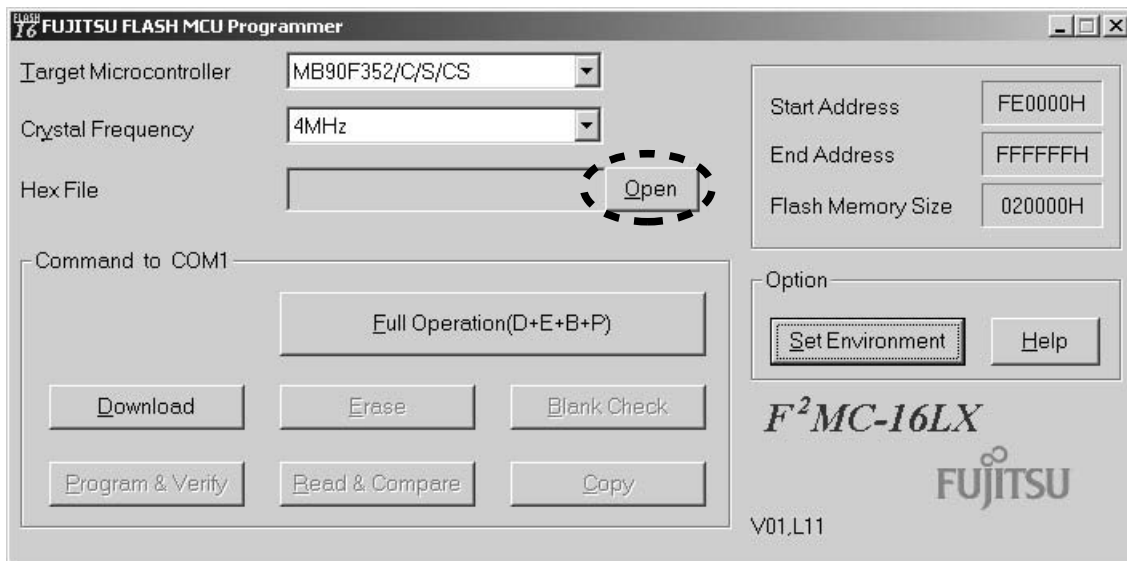
Choose the using serial port, and click **OK**.

接続している Serial Port 番号を選び、**OK** をクリックします。



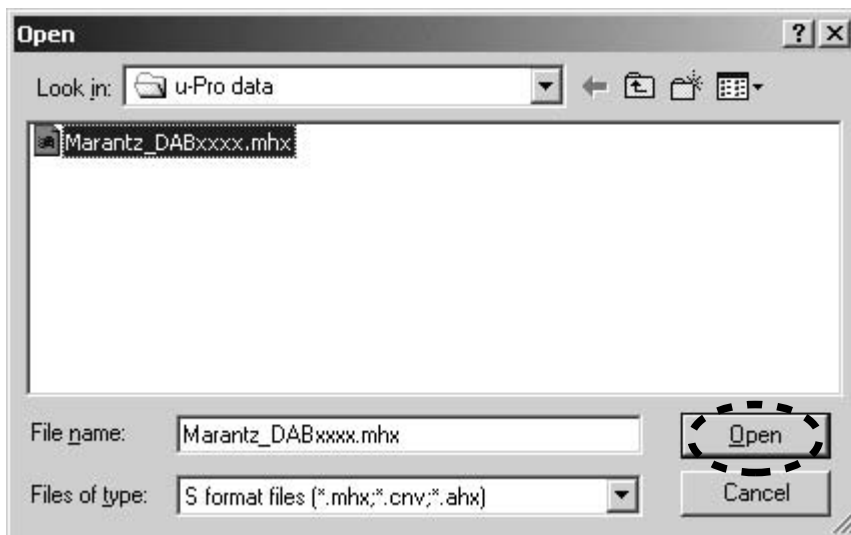
Choose **MB90F352/C/S/CS** in Target Microcontroller.
Choose **4MHz** in Crystal Frequency.
Click **Open**.

Target Microcontroller から **MB90F352/C/S/CS** を選びます。
Crystal Frequency から **4MHz** を選びます。
Open をクリックします。



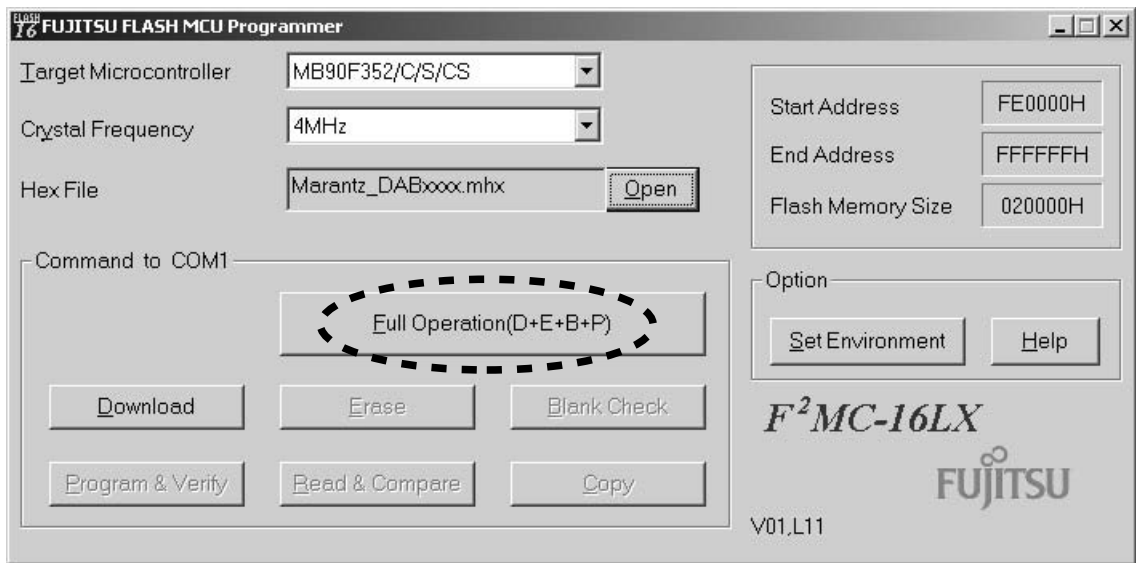
Select writing data, and click **Open**.

書き込みデータを選び、**Open** をクリックします。



Click **Full Operation(D+E+B+P)**.

Full Operation(D+E+B+P) をクリックします。



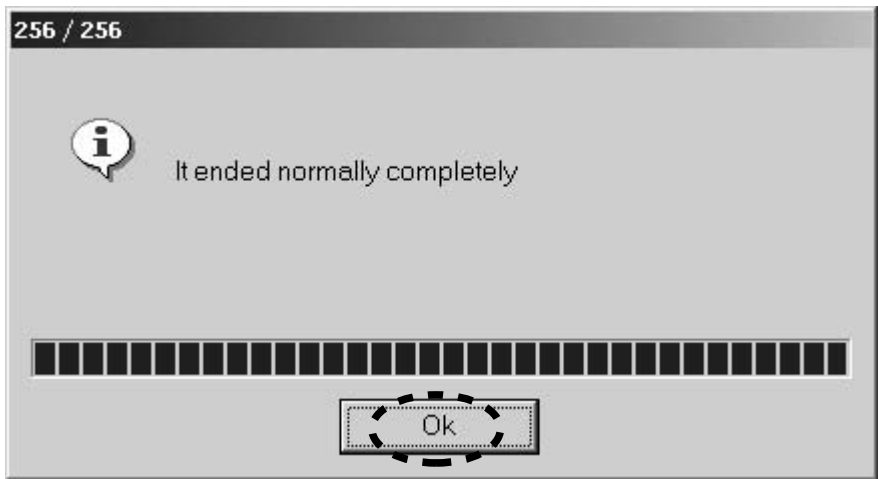
Click **OK**.

OK をクリックします。



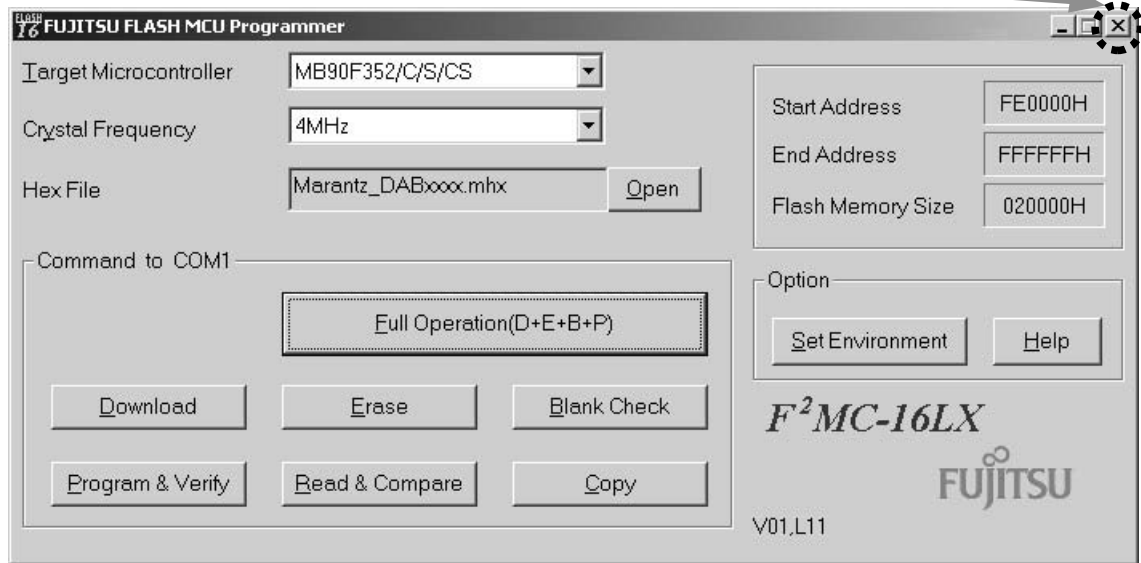
Click **OK**.

OK をクリックします。



Click **X** icon, and close FUJITSU Flash MCU Programmer (FMC16LX).

X(閉じる) アイコンをクリックし終了します。



Disconnect mains cord from the unit.

Disconnect connection JIG from the unit.

Check the version.

Refer to "**2. SERVICE MODE**" on page 2.

本体から電源ケーブルを抜きます。

接続治具を外します。

バージョンを確認してください。

2 ページの "**2. SERVICE MODE**" で確認します。

4. UPDATE DAB MICROPROCESSOR PROCEDURE

NECESSARY EQUIPMENT

- Windows PC (OS : Windows2000 or WindowsXP) with Parallel Port
 - Parallel Cable straight type (25 Pin male - 25 Pin female)
 - Connection JIG : ST-7001 DAB/MICOM UPGRADE BOARD (90M-ST7001JIG)
 - Writing software and several files (DAB folder: include fast DRE310 Programmer.exe, install.bat, etc...)
 - Writing data (Flash_DRE310_EVMSPISLAVE_ 20050701_TBK_01_002_HE.bin)
- NOTE: File name will change according to release date.

必要機器

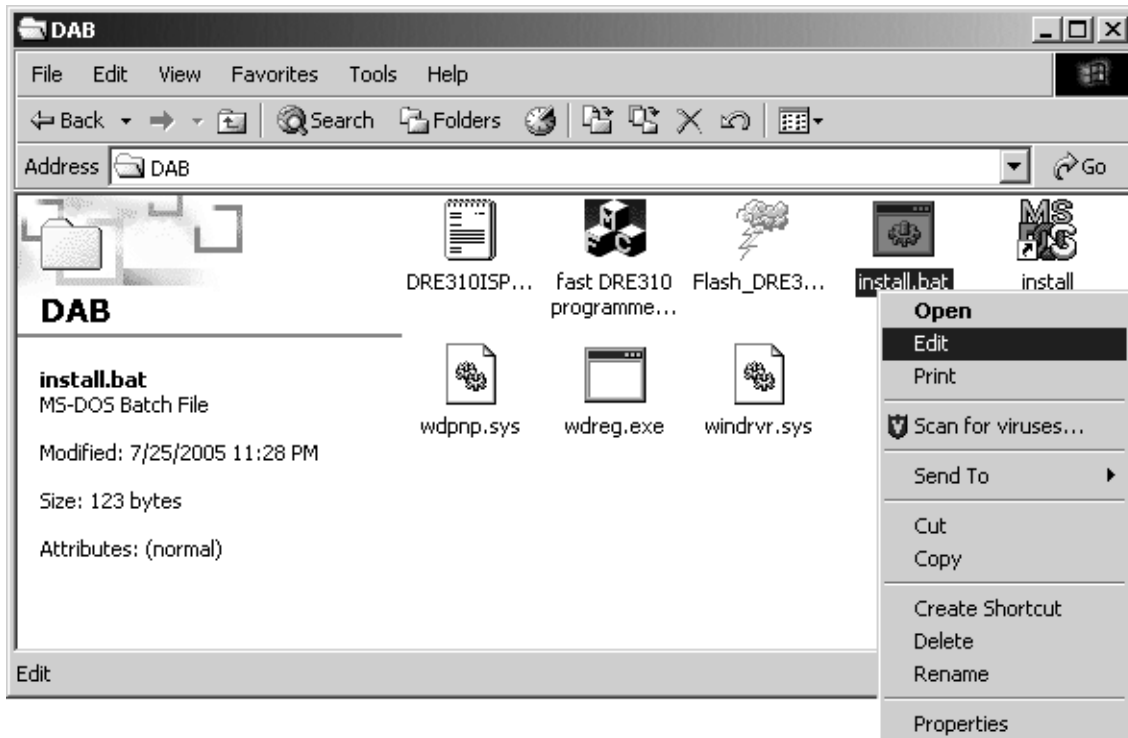
- Windows PC (OS : Windows2000 または WindowsXP) で Parallel ポートのあるもの
- Parallel ストレートケーブル (25Pin オス -25Pin メス)
- 接続治具 : ST-7001 DAB/MICOM UPGRADE BOARD (90M-ST7001JIG)
- 書き込み用ソフトウェア一式 (DAB フォルダ内 fast DRE310 Programmer.exe、install.bat など)
- 書き込み用データ (Flash_DRE310_EVMSPISLAVE_ 2005 0701_TBK_01_002_HE.bin) ファイル名は変更になる場合があります。

INSTALL PROCEDURE

Press right button of mouse on the **install.bat**, and choose the **Edit** in a menu.

インストール手順

install.bat を右クリックしメニューを出し、編集 (Edit) を選びます。

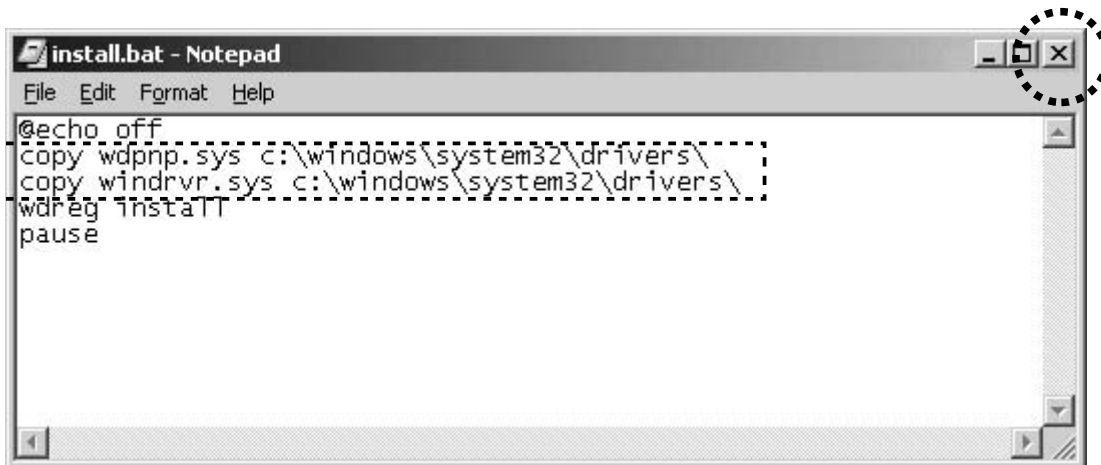


The text which copies "wdpnp.sys" and a "windrvr.sys" file to the system folder of Windows is described. Check the following texts. When text is different, correct it, then save as same filename.

Case of Windows XP

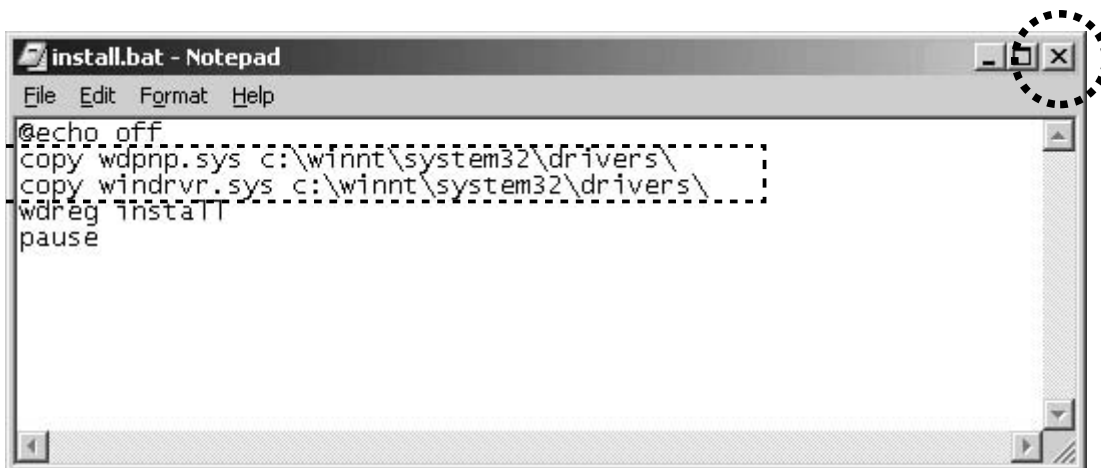
wdpnp.sys と windrvr.sys ファイルを Windows のシステムフォルダにコピーする文章が書かれています。下記の通りにかかれているか確認してください。もし、下記と違う場合は違う箇所を書き直し、上書き保存をしてください。

Windows XP の場合



Case of Windows 2000

Windows 2000 の場合

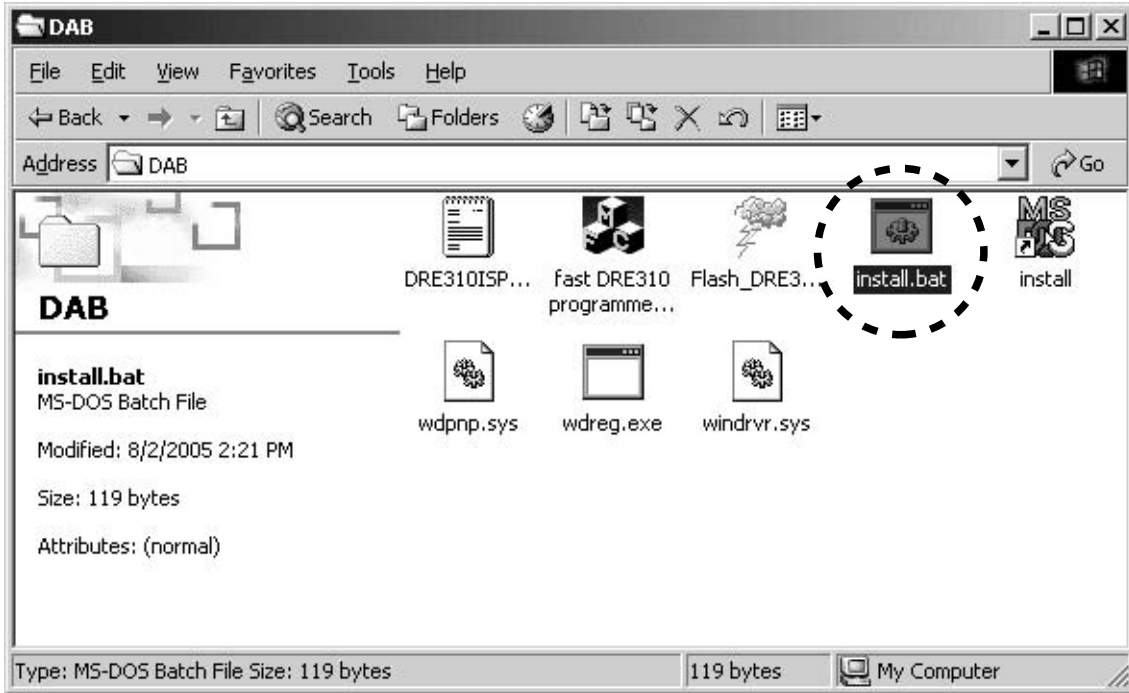


Click X icon, and close.

X アイコンをクリックして閉じます。

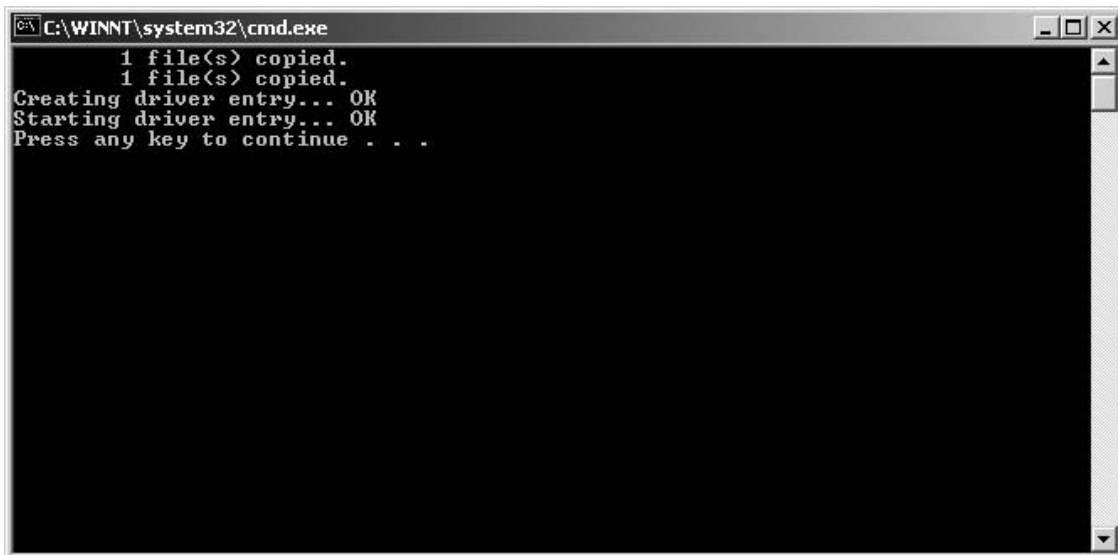
Double click **Install.bat**.

Install.bat をダブルクリックします。



Command prompt is launched, and files are copied.
Check that the files have been copied.
Press the **Enter** or **Space** button, and command prompt is closed automatically.

コマンドプロンプトが立ち上がりファイルをコピーします。
ファイルがコピーされたことを確認してください。
Enter または **Space** を押すと、自動的にコマンドプロンプトが閉じます。

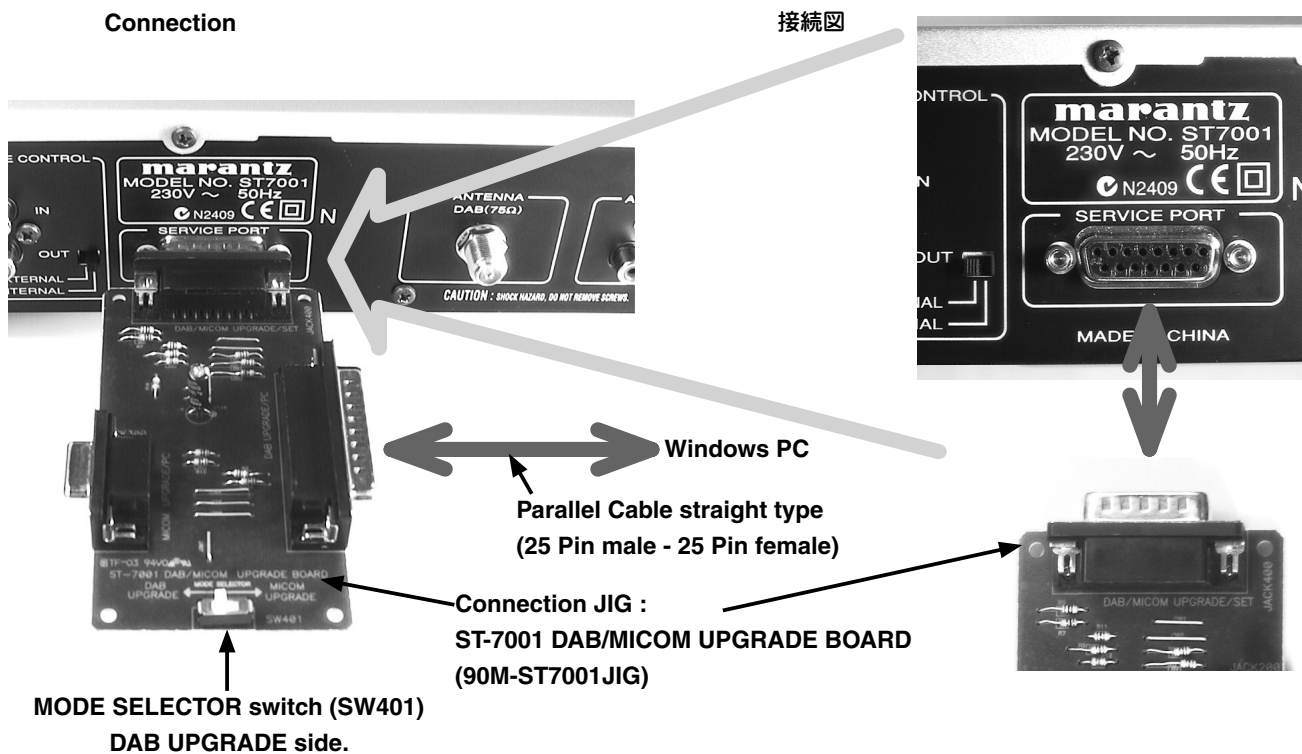


WRITING PROCEDURE

Disconnect the mains cord from the unit.
 Connect Parallel connector on the connection JIG and Parallel Port of windows PC with parallel cable.
 Turn the MODE SELECTOR switch (SW401) of Connection JIG to the DAB UPGRADE side.
 Connect the connection JIG to SERVICE PORT in the rear panel of the unit.
 Connect mains cord to the unit.
 Press the **POWER ON/STANDBY** button, and turn on the unit.

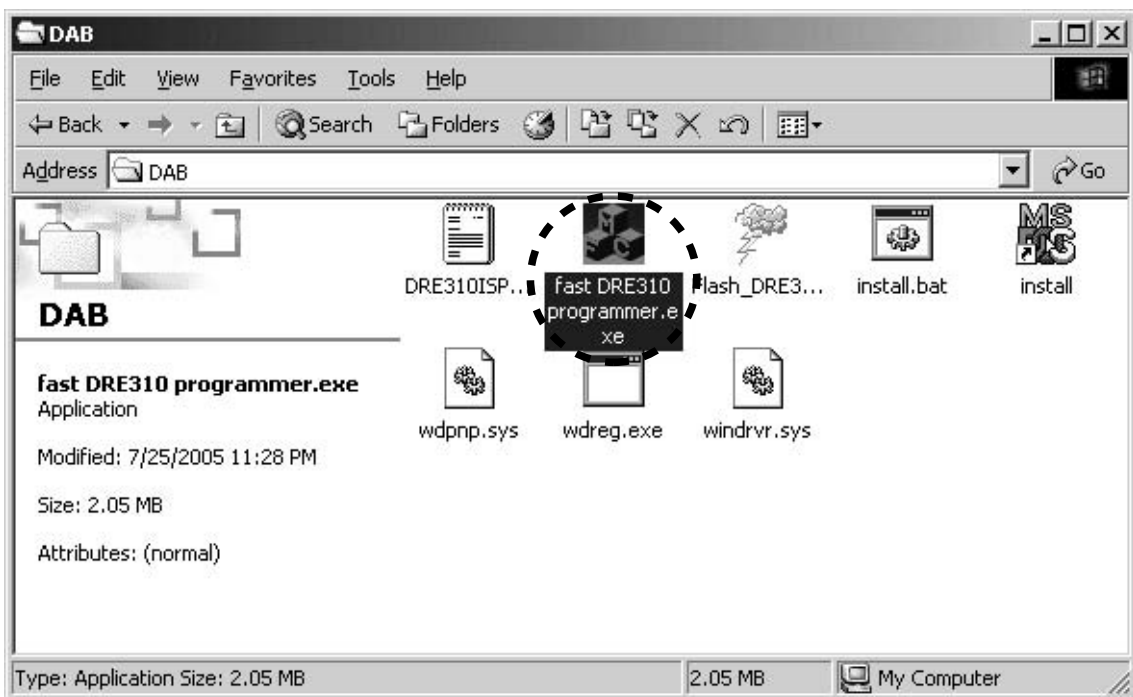
書き込み手順

本体の電源ケーブルを抜きます。
 Windows PC の parallel Port と接続治具を parallel ケーブルで接続します。
 接続治具のスイッチ (SW401) を DAB UPGRADE 側に切替えます。
 接続治具を本体のリアパネルにある SERVICE PORT に接続します。
 本体の電源ケーブルを差込みます。
POWER ON/STANDBY ボタンを押し、本体の電源を入れます。



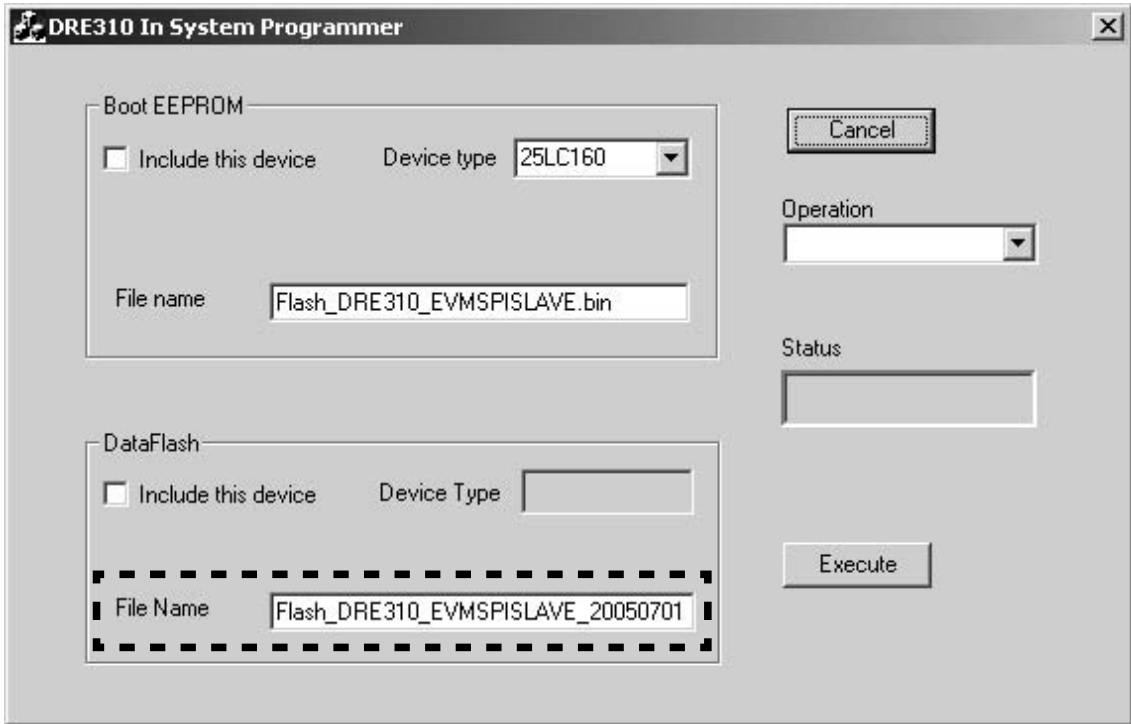
Double click **fast DRE310 Programmer.exe**.

fast DRE310 Programmer.exe をダブルクリックします。



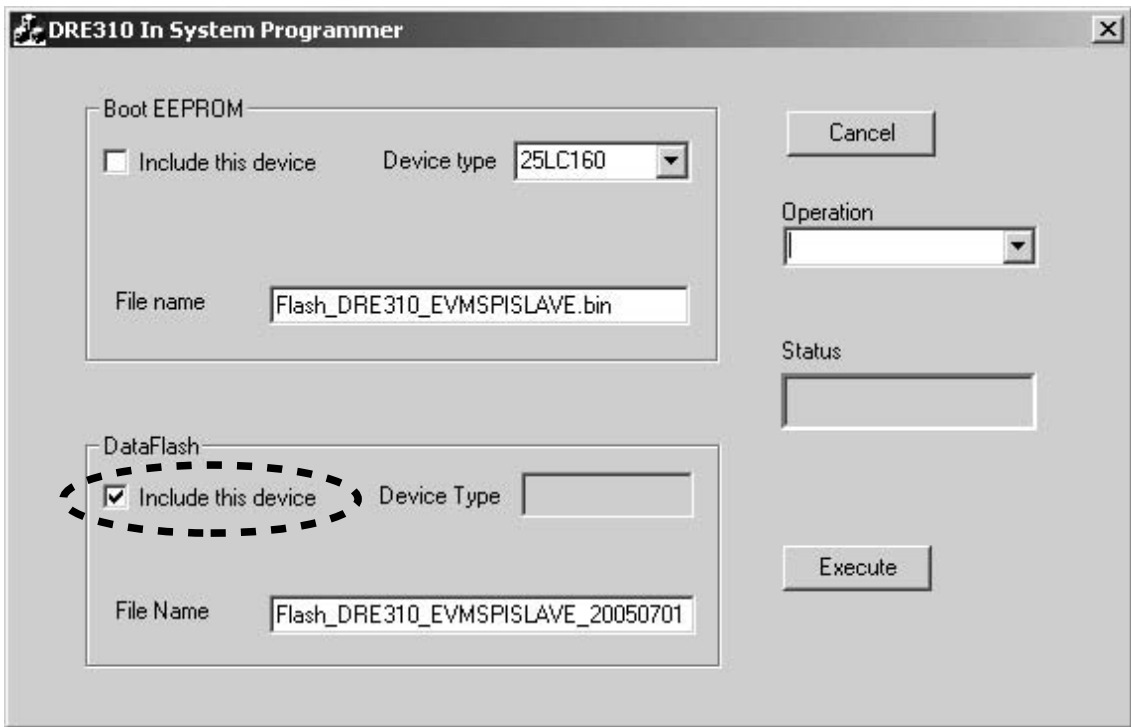
DRE310 In System Programmer is launched.
The same name as File Name of DataFlash is displayed.
When a file name is different, change is required for the right file name.

DRE310 In System Programmer が立ち上がります。
DataFlash の File Name に書かれているファイル名と同一名が表示されます。もし、ファイル名と違う場合は正しいファイル名に変更が必要です。



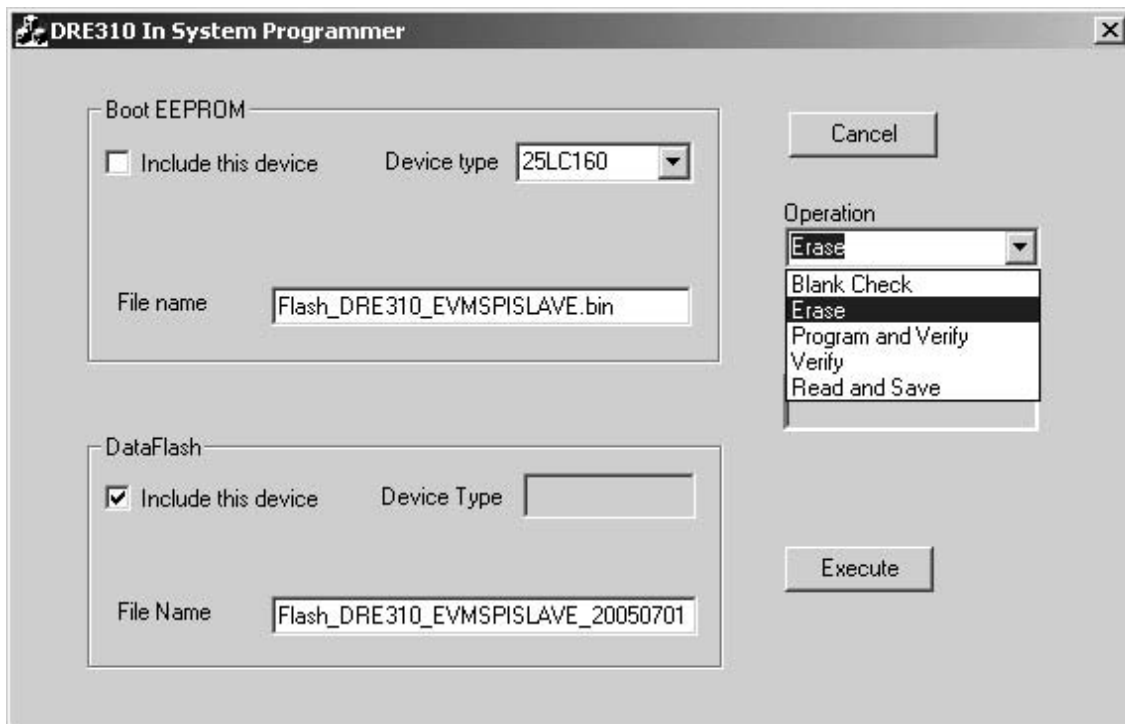
Check Include this device in DataFlash.

Include this device にチェックを入れます。



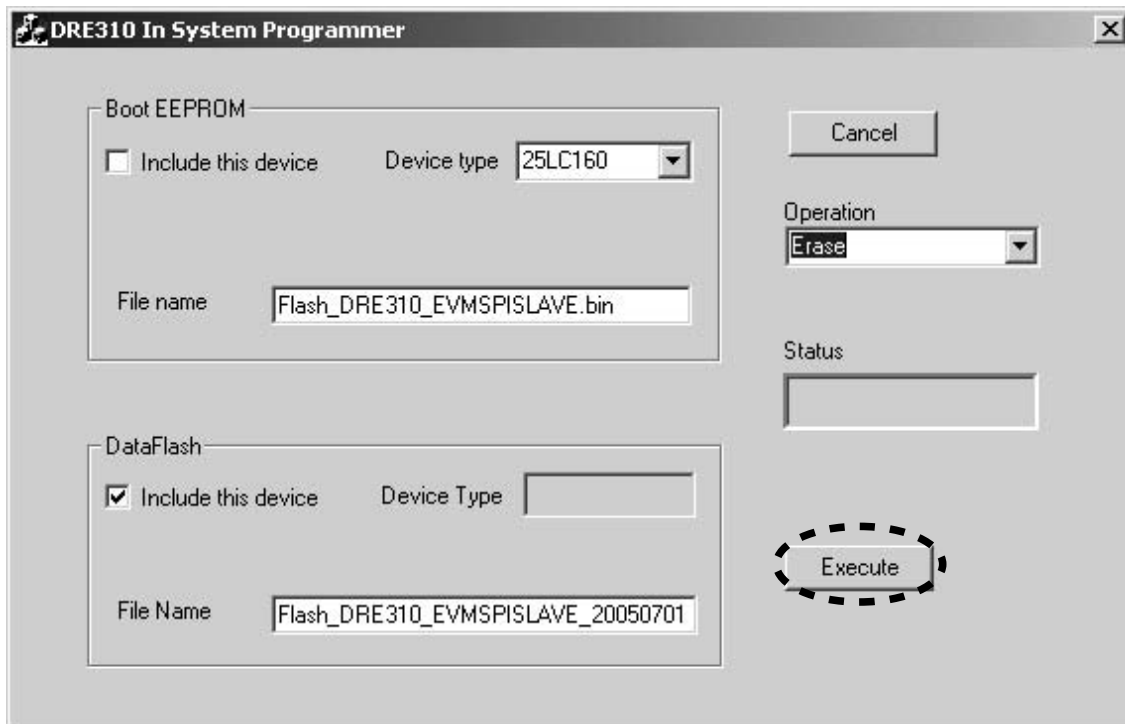
Choose **Erase** in Operation.

Operation から **Erase** を選びます。



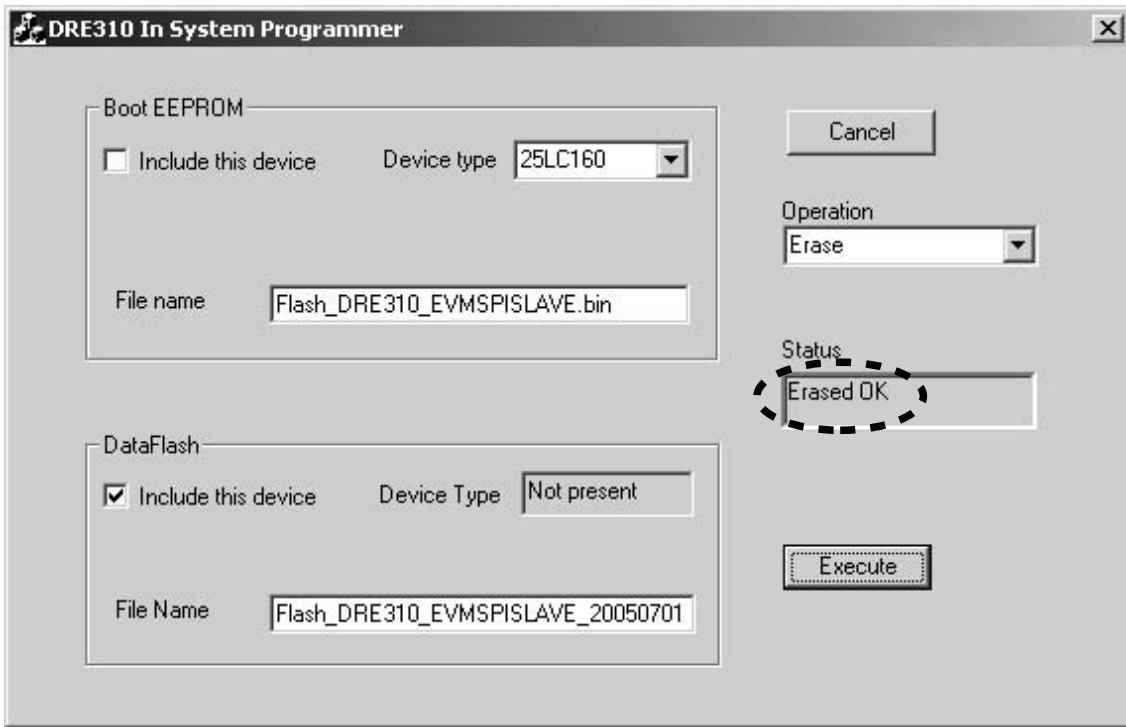
Click **Execute**.

Execute をクリックします。



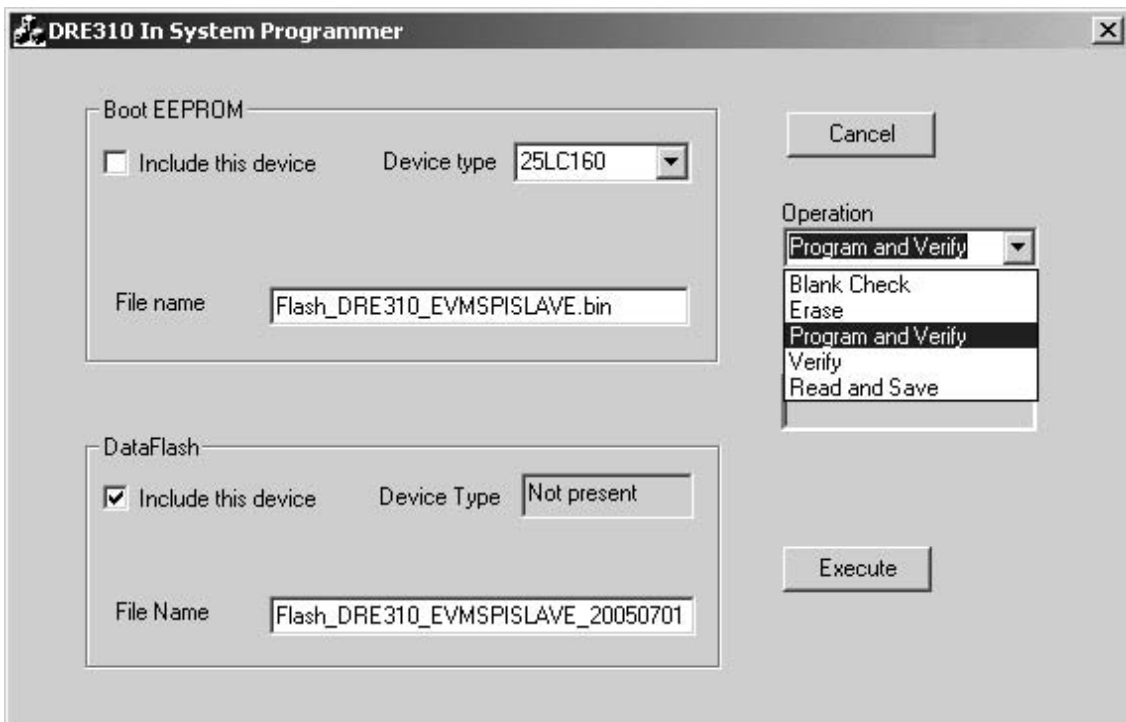
The data of DAB microprocessor is erased.
Erased OK appears in status.

DAB マイコンのデータが消去されます。
Status に Erased OK と表示されます。



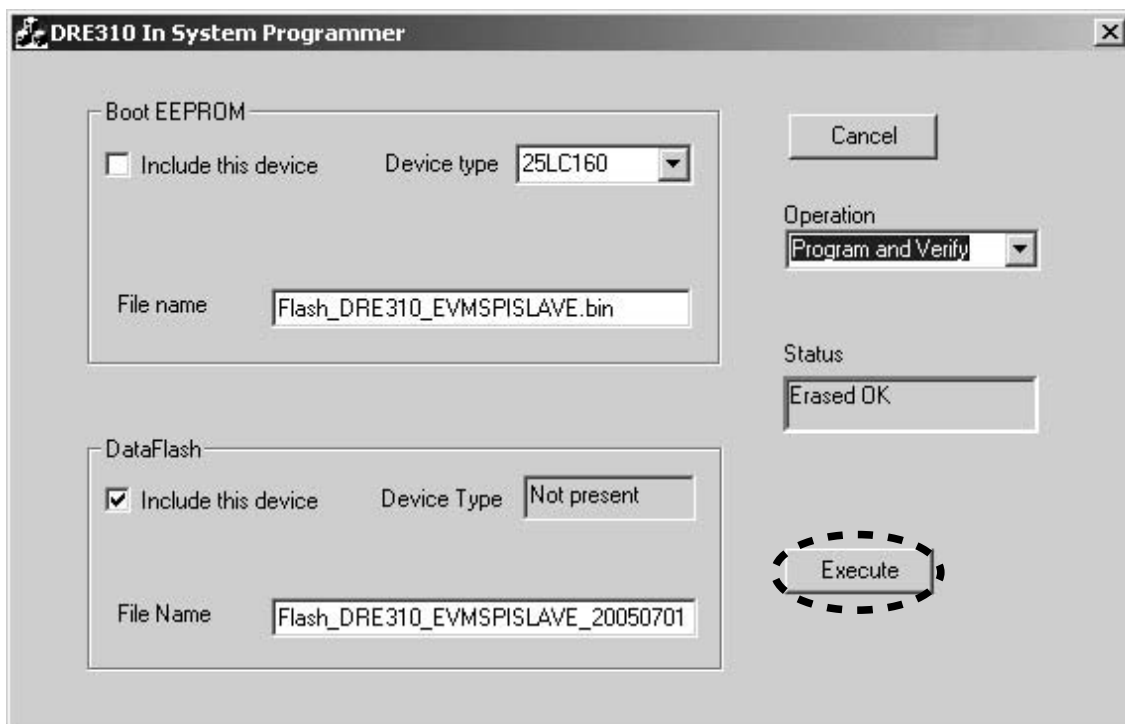
Choose **Program and Verify** in Operation.

Operation から **Program and Verify** を選びます。



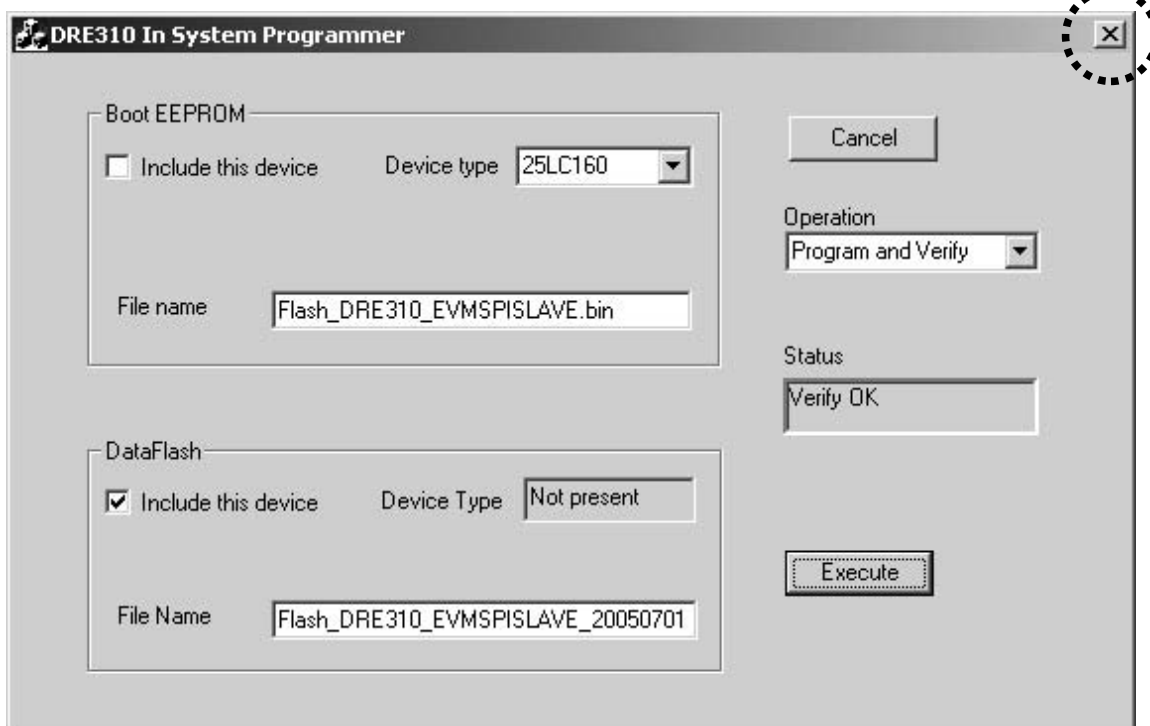
Click **Execute**.

Execute をクリックします。



Writing data is written and verify.
Click **X** icon, and close.

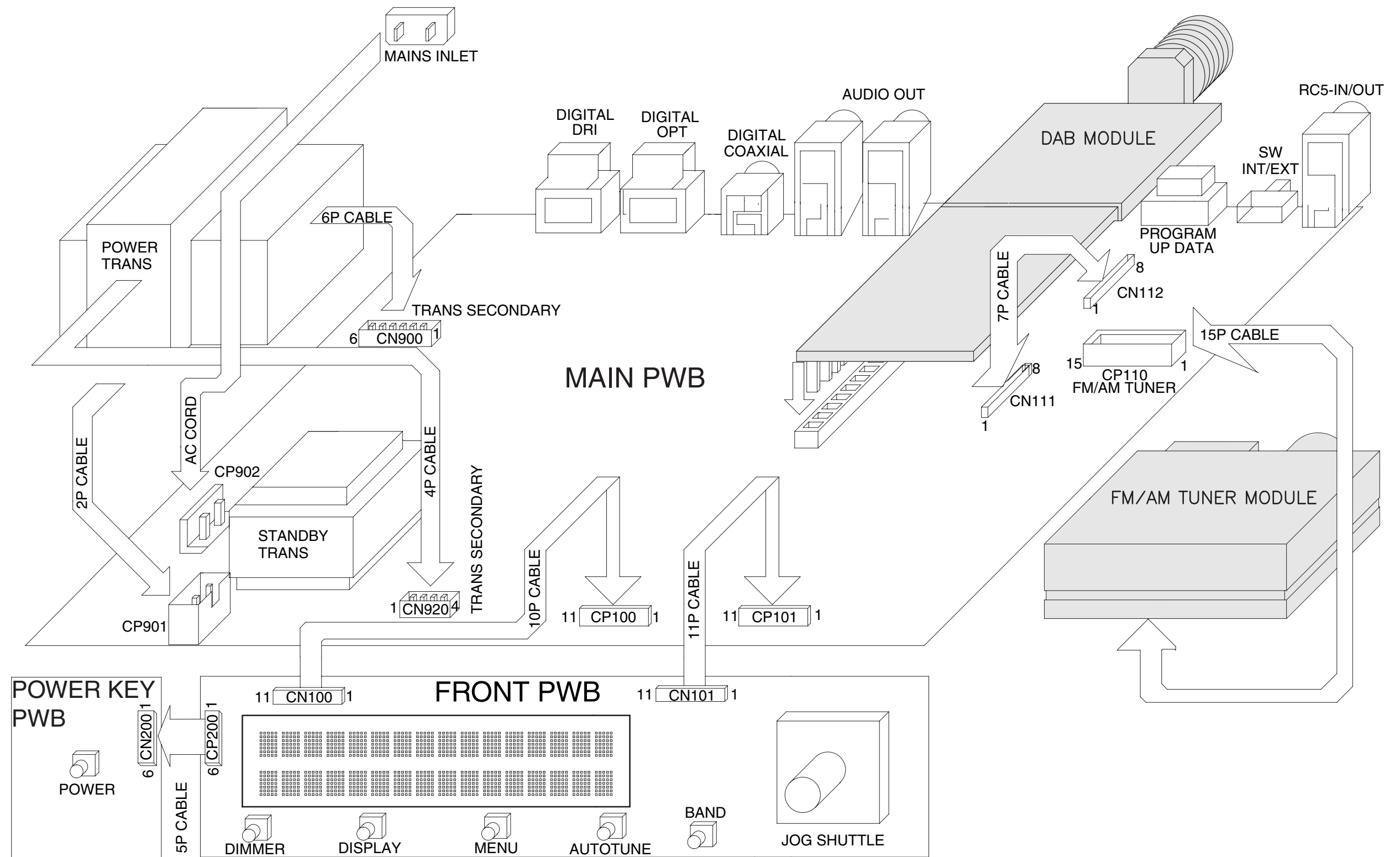
DAB マイコンにデータが書き込まれ、照合がされます。
X アイコンをクリックして閉じます。



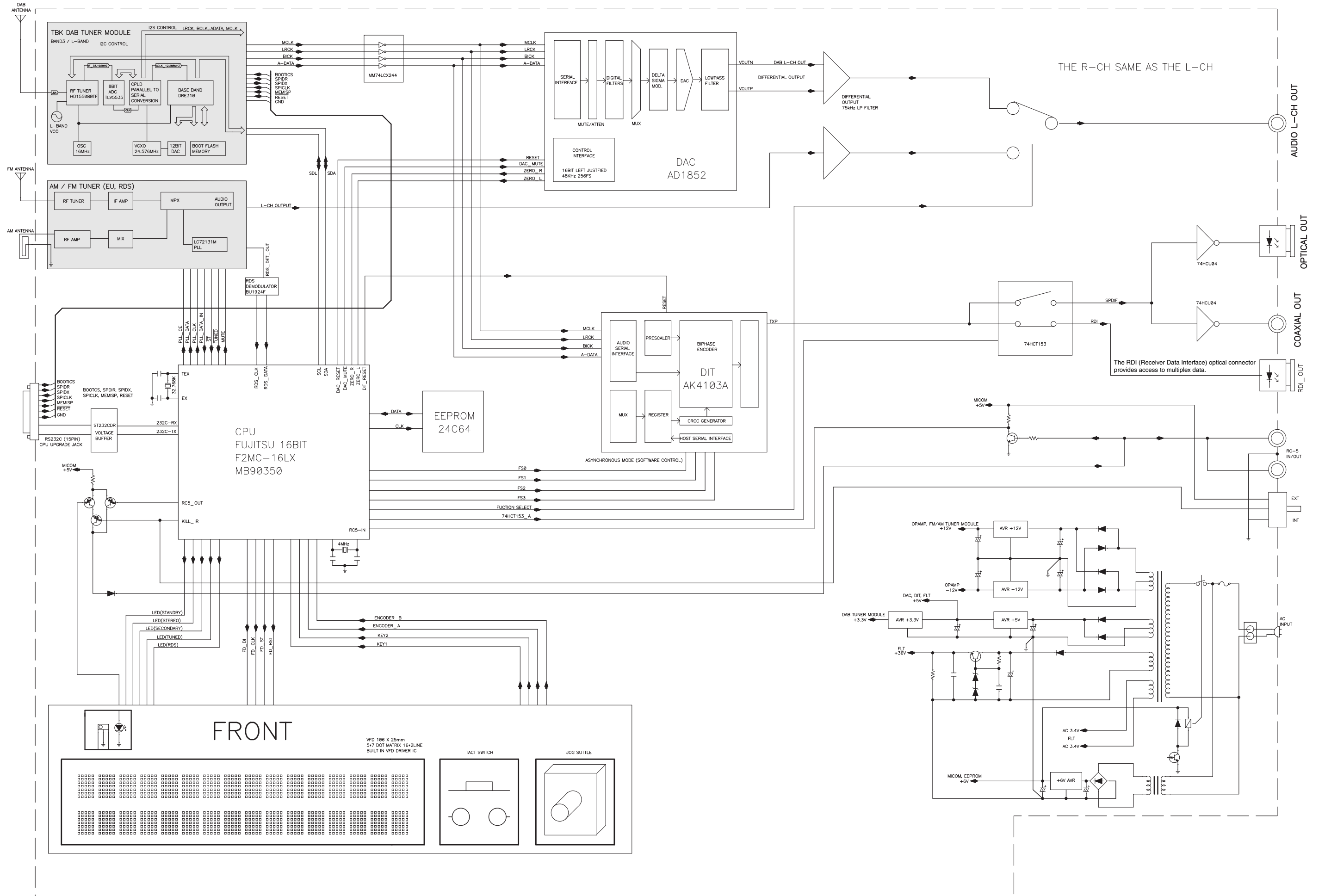
Press the **POWER ON/STANDBY** button, and turn off the unit.
Disconnect mains cord from the unit.
Disconnect connection JIG from the unit.
Check the version.
Refer to "**2. SERVICE MODE**" on page 2.

POWER ON/STANDBY ボタンを押して電源を切ります。
本体から電源ケーブルを抜きます。
接続治具を外します。
バージョンを確認します。
2 ページの "**2. SERVICE MODE**" で確認します。

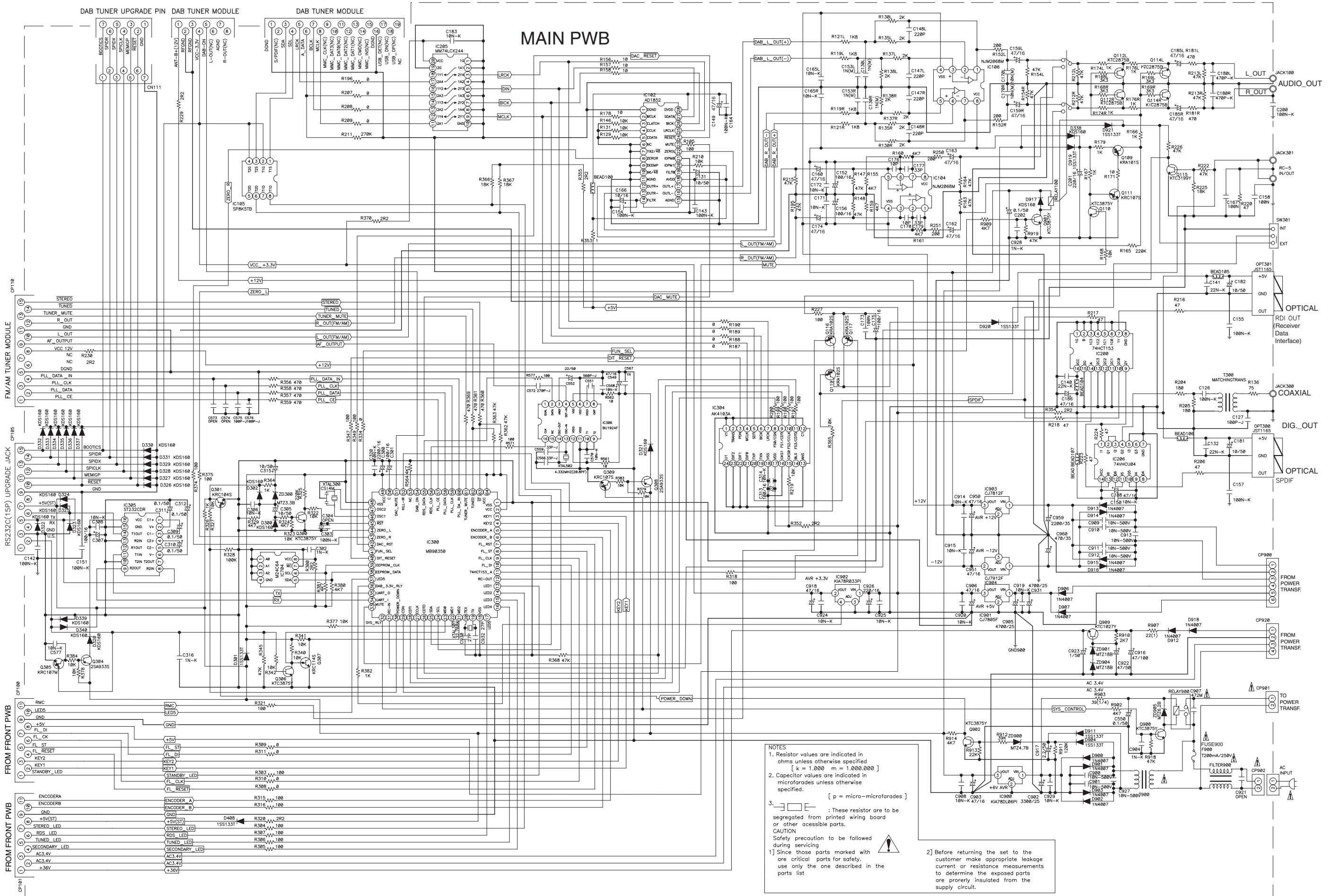
5. WIRING DIAGRAM

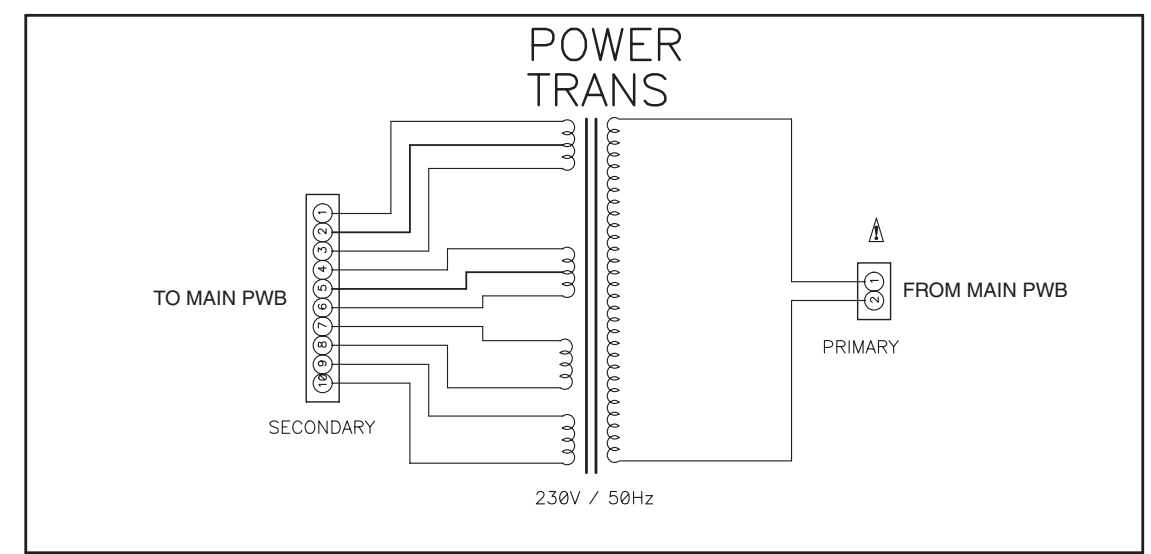
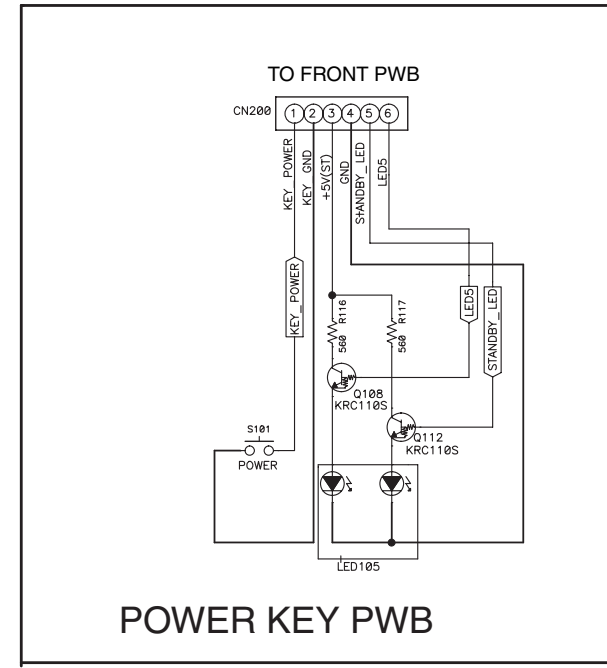
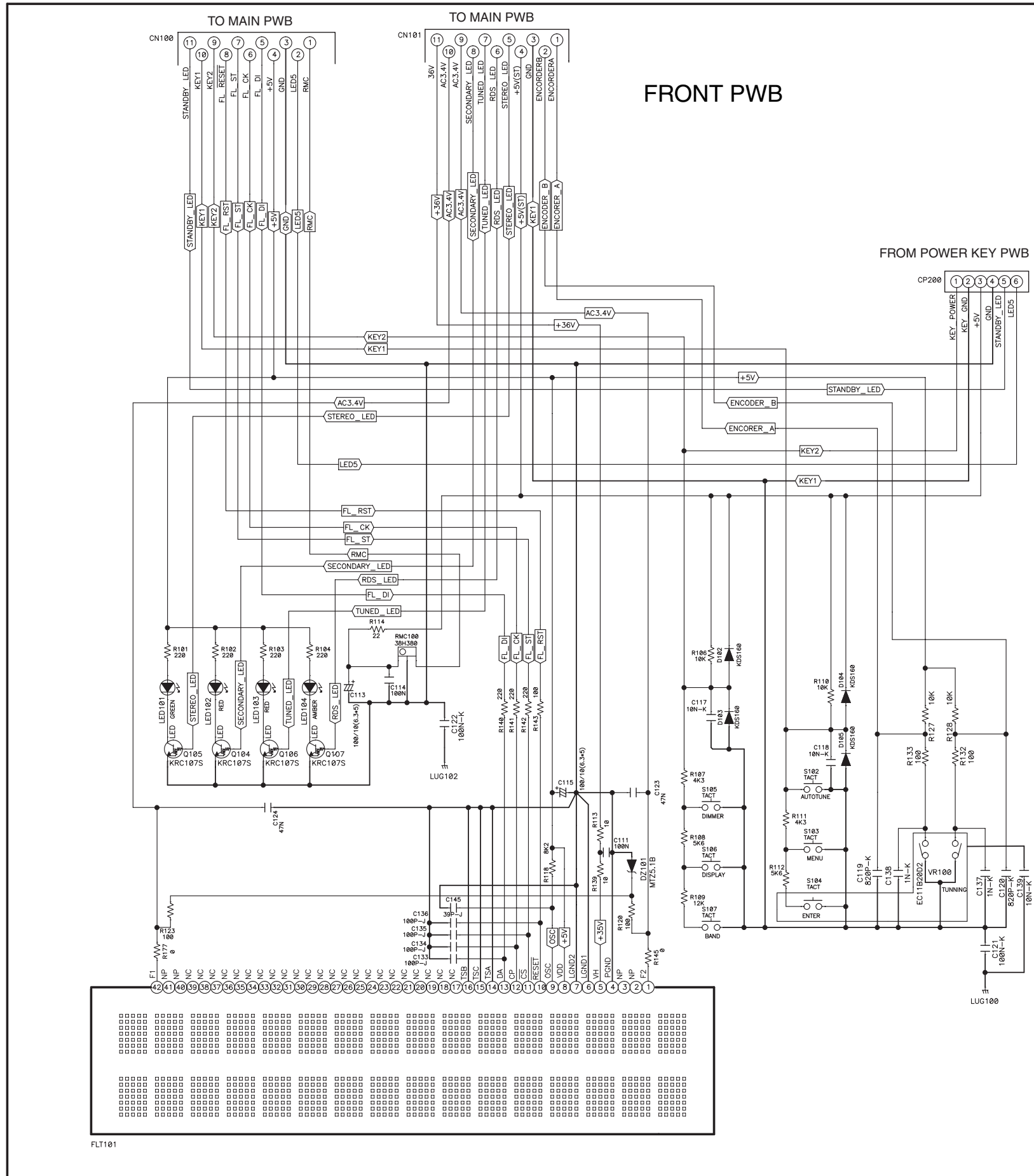


6. BLOCK DIAGRAM



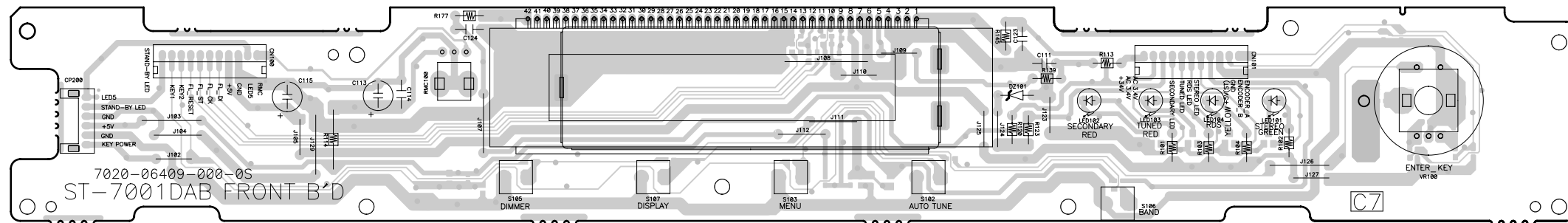
7. SCHEMATIC DIAGRAM



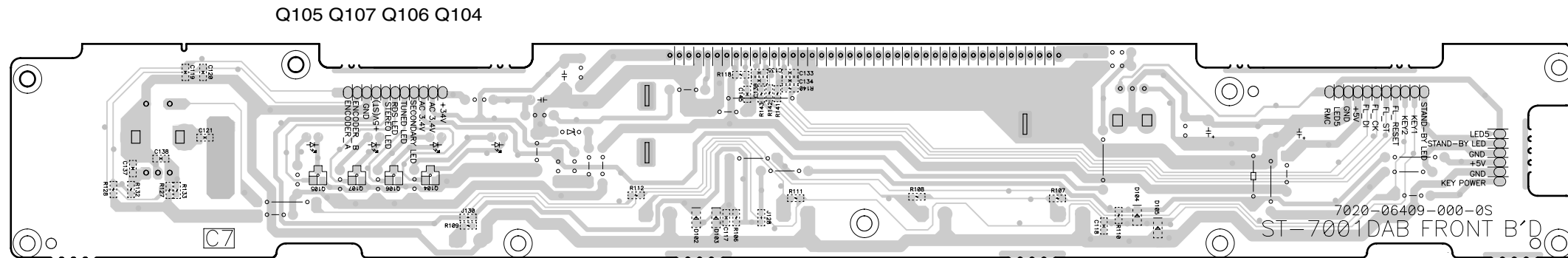


8. PARTS LOCATION

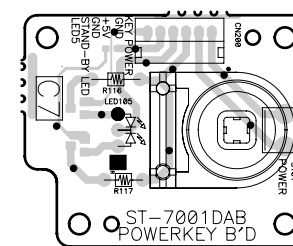
FRONT A



FRONT B

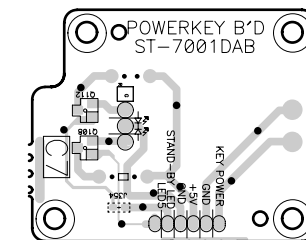


POWER KEY A



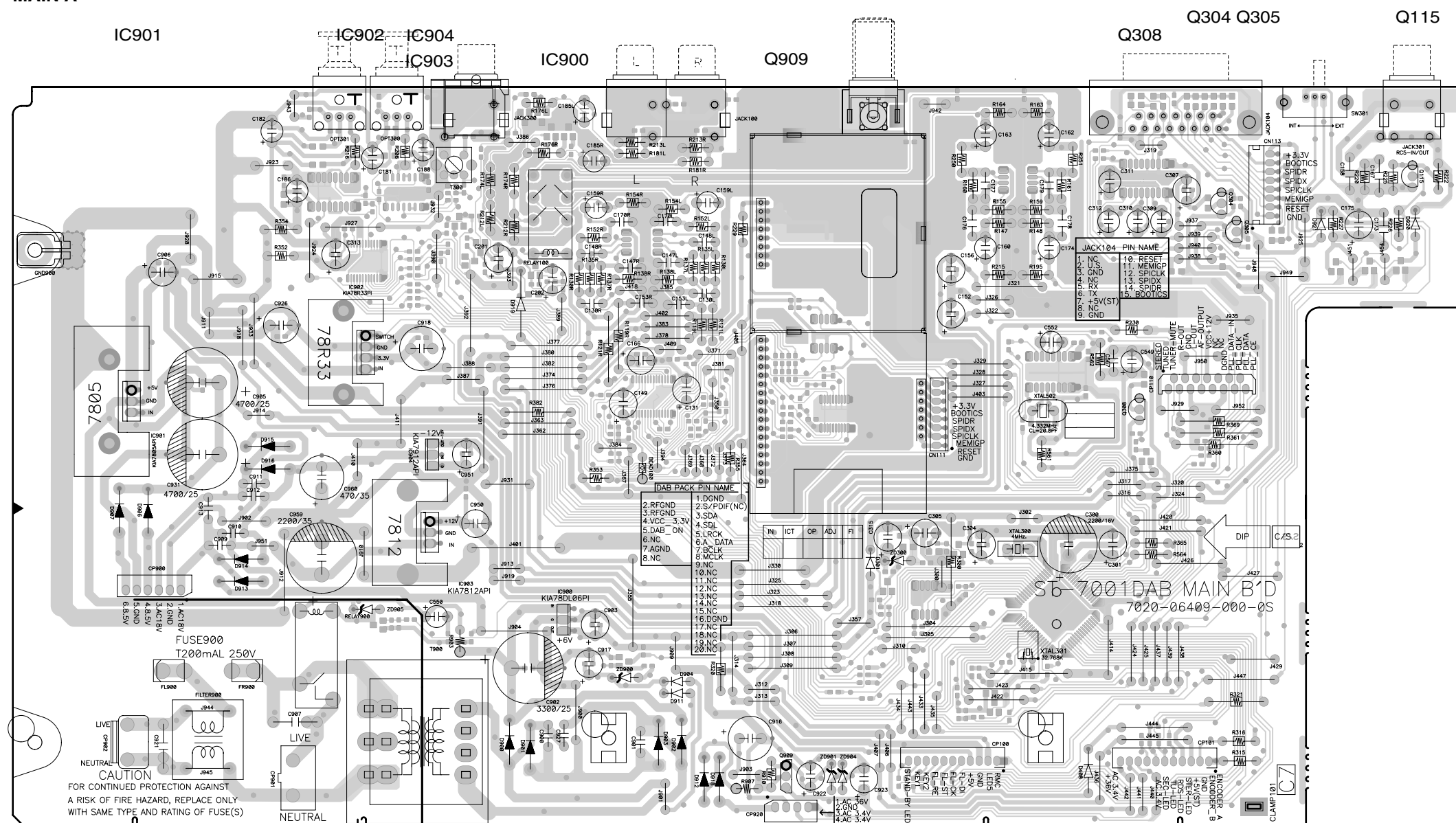
POWER KEY B

Q112 Q108



鉛フリー半田
半田付けには、鉛フリー半田 (Sn-Ag-Cu) を使用してください。
Lead-free Solder
When soldering, use the Lead-free Solder (Sn-Ag-Cu).

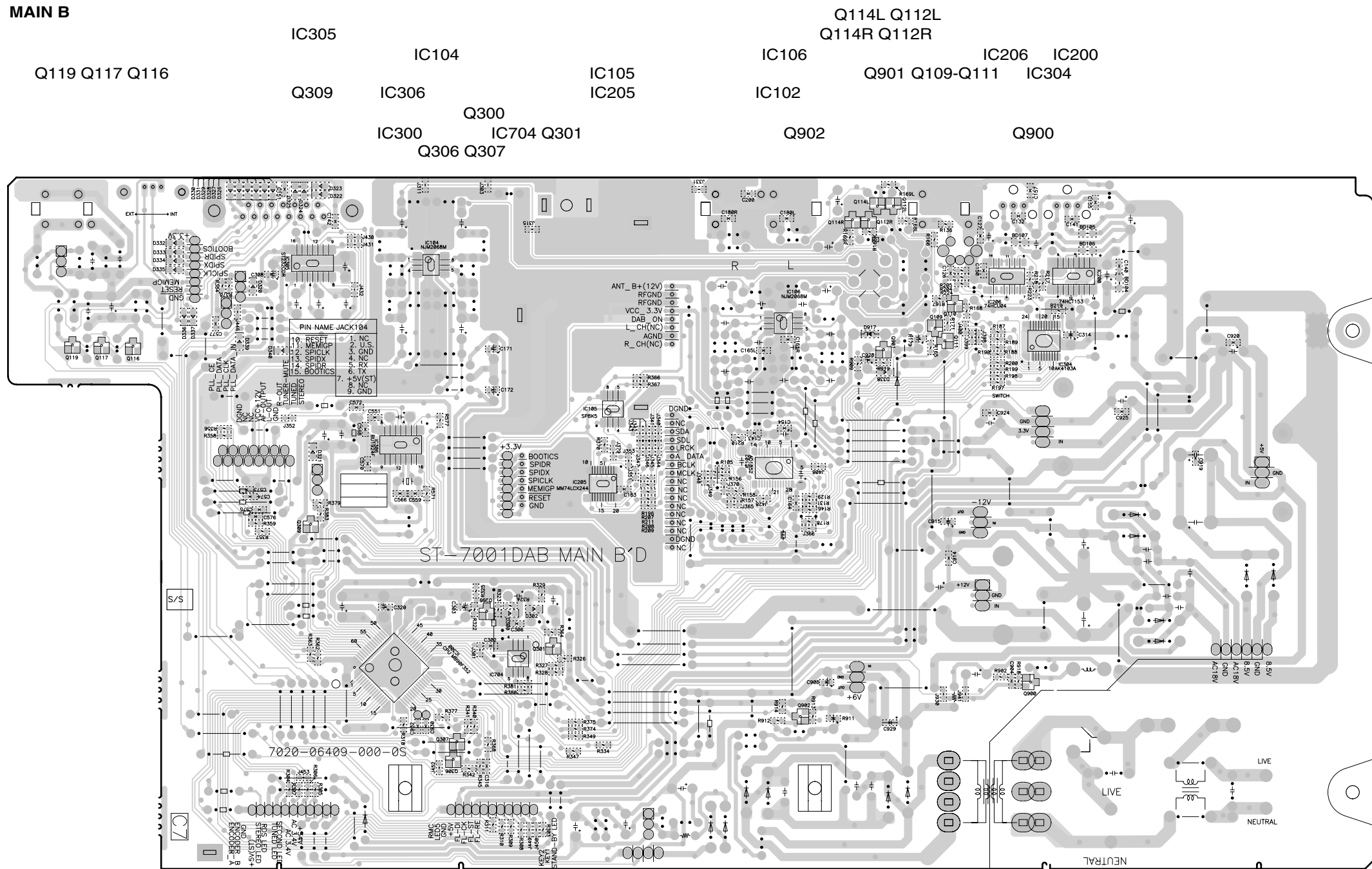
MAIN A



鉛フリー半田
半田付けには、鉛フリー半田 (Sn-Ag-Cu) を使用してください。

Lead-free Solder
When soldering, use the Lead-free Solder (Sn-Ag-Cu).

MAIN B



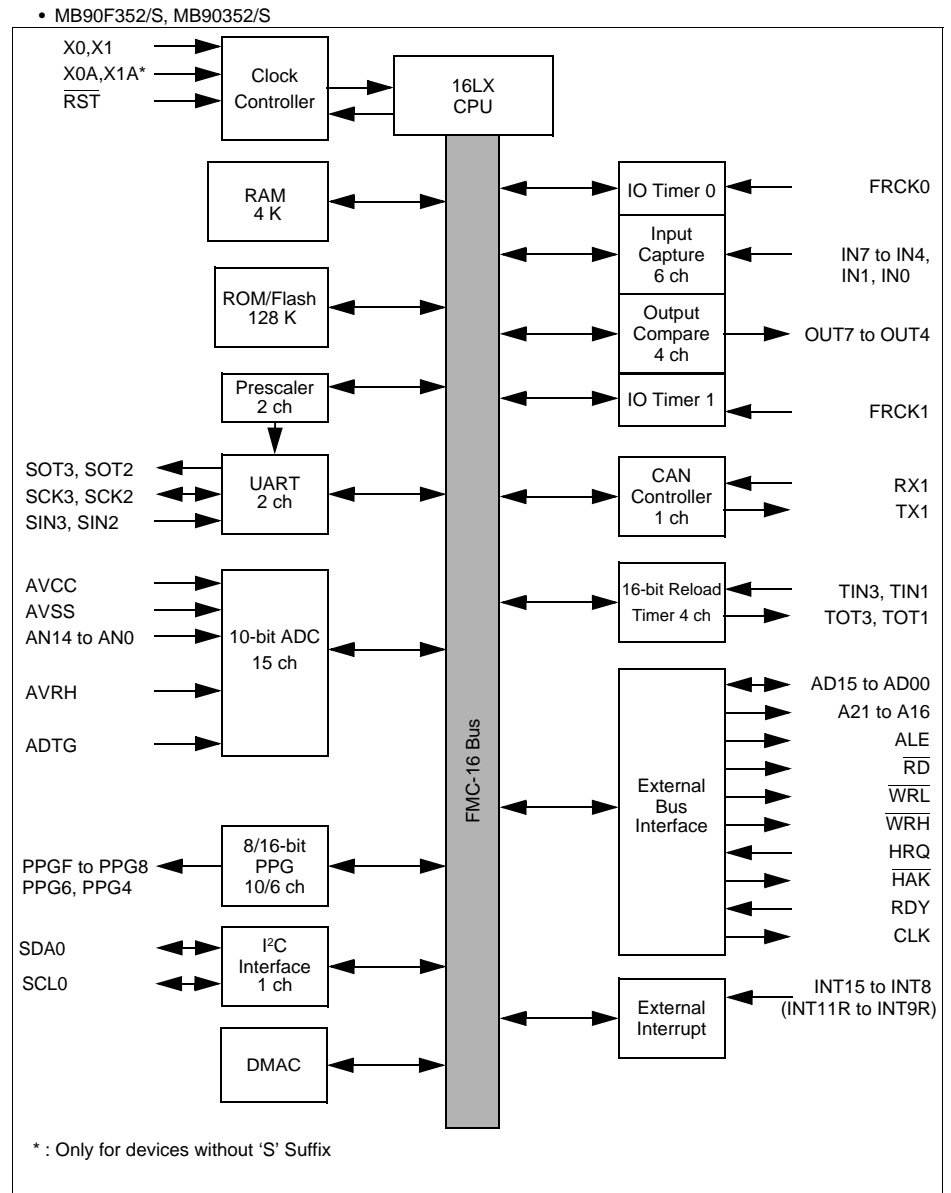
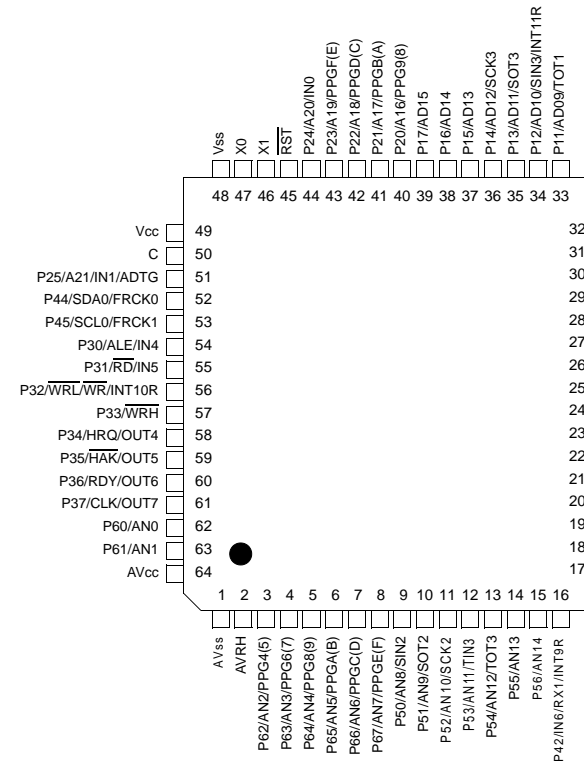
鉛フリー半田
 半田付けには、鉛フリー半田 (Sn-Ag-Cu) を使用してください。
Lead-free Solder
 When soldering, use the Lead-free Solder (Sn-Ag-Cu).

9. MICROPROCESSOR AND IC DATA

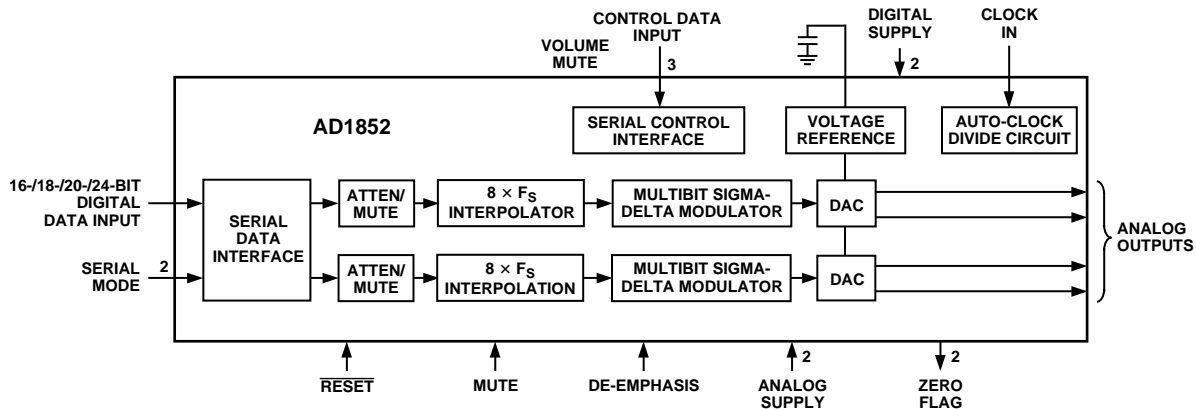
IC300 : MB90F352PFM-G

Pin No.	Pin Name	I/O	Function
1	Avss		Vss
2	AVRH		Vcc
3	P62/AN2/PPG4(5)	A/D	key1
4	P63/AN3/PPG6(7)	A/D	key2
5	P64/AN4/PPG8(9)	INPUT	encoder_a
6	P65/AN5/PPGA(B)	INPUT	encoder_b
7	P66/AN6/PPGC(D)	OUTPUT	FLT_RESET
8	P67/AN7/PPGE(F)	OUTPUT	FLT_SELECT
9	P50/AN8/SIN2	OUTPUT	FLT_CLOCK
10	P51/AN9/SOT2	OUTPUT	FLT_DATA
11	P52/AN10/SCK2	OUTPUT	RDI_SELECT
12	P53/AN11/TIN3	OUTPUT	(RC5-OUT)
13	P54/AN12/TOT3	OUTPUT	LED_STANDBY
14	P55/AN13	OUTPUT	LED_STEREO
15	P56/AN14	OUTPUT	LED_SECONDARY
16	P42/IN6/RX1/INT9R	OUTPUT	LED_TUNED
17	P43/INT7/TX1	OUTPUT	LED_RDS
18	Vss		GND
19	P40/X0A		
20	P41/X1A		
21	MD2		MICOM UPGRADE
22	MD1		MICOM UPGRADE
23	MD0		MICOM UPGRADE
24	P00/AD00/INT8	OUTPUT	DAB_I2C_CLOCK
25	P01/AD01/INT9	OUTPUT	DAB_I2C_DATA
26	P02/AD02/INT10	INPUT	AK4103_DATA_IN
27	P03/AD03/INT11	OUTPUT	AK4103_CLOCK
28	P04/AD04/INT12	OUTPUT	AK4103_DATA_OUT
29	P05/AD05/INT13	OUTPUT	AK4103_SELECT
30	P06/AD06/INT14	INPUT	POWER_DOWN
31	P07/AD07/INT15	INPUT	REMOCON
32	P10/AD08/TIN1	OUTPUT	POWER_RELAY
33	P11/AD09/TOT1	OUTPUT	MAIN_MUTE
34	P12/AD10/SIN3/INT11R	OUTPUT	UPGRADE_RX
35	P13/AD11/SOT3	OUTPUT	UPGRADE_TX
36	P14/AD12/SCK3	OUTPUT	POWER_DAB
37	P15/AD13	OUTPUT	LED_TIMER
38	P16/AD14	OUTPUT	EEPROM_DATA
39	P17/AD15	OUTPUT	EEPROM_CLOCK
40	P20/A16/PPG9(8)	OUTPUT	DIT_RESET
41	P21/A17/PPGB(A)	OUTPUT	FUNCTION_RELAY
42	P22/A18/PPGD(C)	OUTPUT	DAC_RESET
43	P23/A19/PPGF(E)	INPUT	DAC_MUTE_DETECT_R
44	P24/A20/IN0	INPUT	DAC_MUTE_DETECT_L
45	RST		
46	X1		4MHz
47	X0		4MHz
48	Vss		
49	Vcc		
50	C		0.1UF/CERAMIC
51	P25/A21/IN1/ADTG	OUTPUT	DAC_MUTE
52	P44/FRCK0	OUTPUT	
53	P45/FRCK1	INPUT	(RC5_IN/EXT)
54	P30/ALE/IN4	OUTPUT	DAB_ON
55	P31/RD/IN5	INPUT	RDS_DATA
56	P32/WRL/WR/INT10R	INPUT	RDS_CLOCK
57	P33/WRH	OUTPUT	PLL_CE
58	P34/HRQ/OUT4	OUTPUT	PLL_DATA_OUT(PLL DATA TRANS)
59	P35/HAK/OUT5	OUTPUT	PLL_CLOCK
60	P36/RDY/OUT6	INPUT	PLL_DATA_IN(IF READ)

Pin No.	Pin Name	I/O	Function
61	P37/CLK/OUT7	OUTPUT	TUNER_MUTE
62	P60/AN0	INPUT	TUNER_STEREO
63	P61/AN1	INPUT	TUNER_TUNED
64	Avcc		VCC



IC102 : AD1852JSR



Pin	Input/Output	Pin Name	Description
1	I	DGND	Digital Ground.
2	I	MCLK	Master Clock Input. Connect to an external clock source at either 256 F _S , 384 F _S , 512 F _S , 768 F _S , or 1024 F _S .
3	I	CLATCH	Latch Input for Control Data. This input is rising-edge sensitive.
4	I	CCLK	Control Clock Input for Control Data. Control input data must be valid on the rising edge of CCLK. CCLK may be continuous or gated.
5	I	CDATA	Serial Control Input, MSB first, containing 16 bits of unsigned data per channel. Used for specifying channel-specific attenuation and mute.
6		NC	No Connect.
7	I	192/48	Selects 48 kHz (LO) or 192 kHz Sample Frequency.
8	O	ZEROR	Right Channel Zero Flag Output. This pin goes HI when Right Channel has no signal input for more than 1024 LR Clock Cycles.
9	I	DEEMP	De-Emphasis. Digital de-emphasis is enabled when this input signal is HI. This is used to impose a 50 μs/15 μs response characteristic on the output audio spectrum at an assumed 44.1 kHz sample rate. Curves for 32 kHz and 48 kHz sample rates may be selected via SPI control register.
10	I	96/48	Selects 48 kHz (LO) or 96 kHz Sample Frequency.
11, 15	I	AGND	Analog Ground.
12	O	OUTR+	Right Channel Positive Line Level Analog Output.
13	O	OUTR-	Right Channel Negative Line Level Analog Output.
14	O	FILTR	Voltage Reference Filter Capacitor Connection. Bypass and decouple the voltage reference with parallel 10 μF and 0.1 μF capacitors to the AGND.
16	O	OUTL-	Left Channel Negative Line Level Analog Output.
17	O	OUTL+	Left Channel Positive Line Level Analog Output.
18	I	AVDD	Analog Power Supply. Connect to Analog 5 V Supply.
19		FILTB	Filter Capacitor Connection. Connect 10 μF capacitor to AGND (Pin 15).
20	I	IDPM1	Input Serial Data Port Mode Control One. With IDPM0, defines 1 of 4 serial modes.
21	I	IDPM0	Input Serial Data Port Mode Control Zero. With IDPM1, defines 1 of 4 serial modes.
22	O	ZEROL	Left Channel Zero Flag Output. This pin goes HI when Left Channel has no signal input for more than 1024 LR Clock Cycles.
23	I	MUTE	Mute. Assert HI to mute both stereo analog outputs. Deassert LO for normal operation.
24	I	RESET	Reset. The AD1852 is reset on the rising edge of this signal. The serial control port registers are reset to the default values. Connect HI for normal operation.
25	I	L/RCLK	Left/Right Clock Input for Input Data. Must run continuously.
26	I	BCLK	Bit Clock Input for Input Data. Need not run continuously; may be gated or used in a burst fashion.
27	I	SDATA	Serial Input, MSB first, containing two channels of 16, 18, 20, and 24 bits of twos complement data per channel.
28	I	DVDD	Digital Power Supply Connect to digital 5 V supply.

Table I. Serial Data Input Mode

IDPM1 (Pin 20)	IDPM0 (Pin 21)	Serial Data Input Format
0	0	Right-Justified
0	1	I ² S-Compatible
1	0	Left-Justified
1	1	DSP

IC105 : SP8K5TB

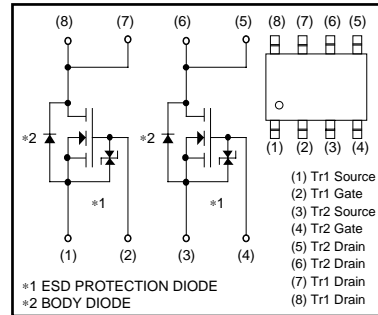
●Absolute maximum ratings (Ta=25°C)

It is the same ratings for the Tr. 1 and Tr. 2.

Parameter	Symbol	Limits	Unit
Drain-source voltage	V _{DSS}	30	V
Gate-source voltage	V _{GSS}	20	V
Drain current	Continuous	I _D	±3.5 A
	Pulsed	I _{DP}	±14 A *1
Source current (Body diode)	Continuous	I _S	1.6 A
	Pulsed	I _{SP}	6.4 A *1
Total power dissipation	P _D	2	W *2
Channel temperature	T _{ch}	150	°C
Storage temperature	T _{stg}	-55 to +150	°C

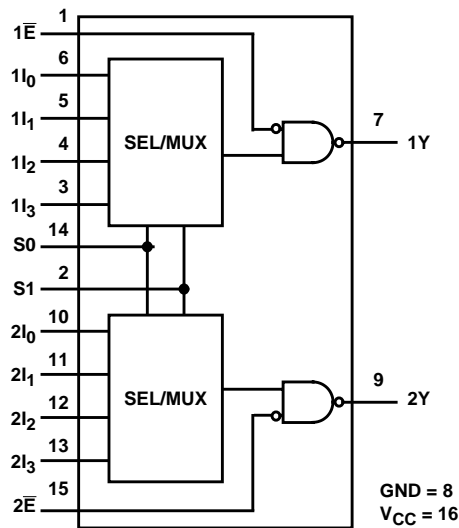
*1 P_w ≤ 10μs, Duty cycle ≤ 1%
*2 MOUNTED ON A CERAMIC BOARD.

●Equivalent circuit



*A protection diode is included between the gate and the source terminals to protect the diode against static electricity when the product is in use. Use the protection circuit when the fixed voltages are exceeded.

IC200 : 74HCT153



TRUTH TABLE

SELECT INPUTS		DATA INPUTS				ENABLE	OUTPUT
S1	S0	I0	I1	I2	I3	\bar{E}	Y
X	X	X	X	X	X	H	L
L	L	L	X	X	X	L	L
L	L	H	X	X	X	L	H
L	H	X	L	X	X	L	L
L	H	X	H	X	X	L	H
H	L	X	X	L	X	L	L
H	L	X	X	H	X	L	H
H	H	X	X	X	L	L	L
H	H	X	X	X	H	L	H

NOTE:

Select inputs S1 and S0 are common to both sections.

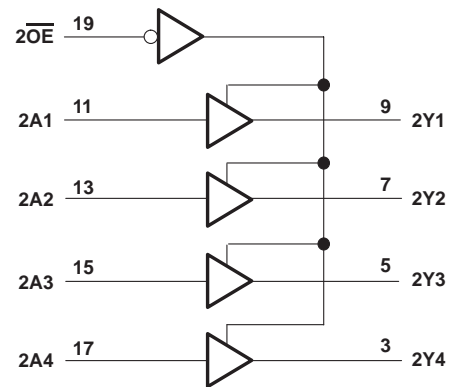
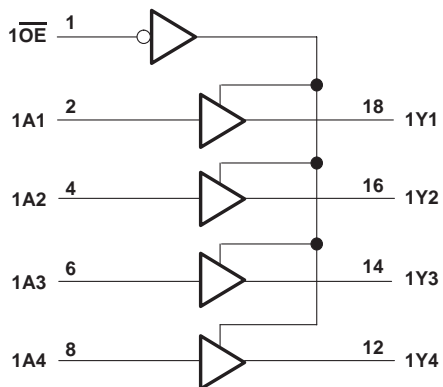
H = High Voltage Level, L = Low Voltage Level, X = Don't Care

IC205 : MM74LCX244

IC207 : MM74HCT244

FUNCTION TABLE
(each buffer/driver)

INPUTS		OUTPUT Y
\overline{OE}	A	
L	H	H
L	L	L
H	X	Z



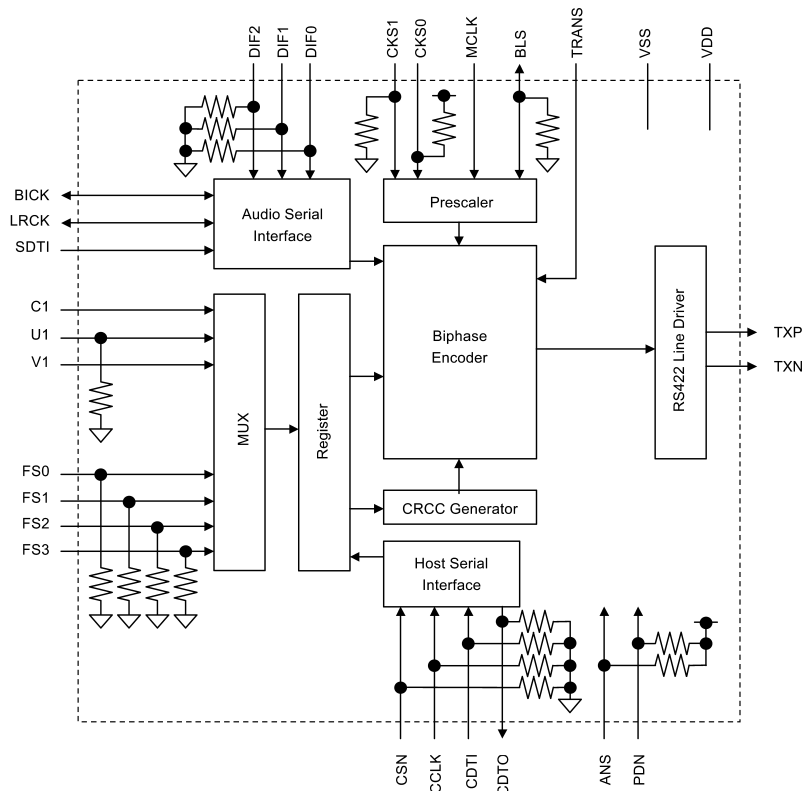
IC206 : 74VHCU04

FUNCTION TABLE
(each inverter)

INPUT A	OUTPUT Y
H	L
L	H



IC304 : AK4103A



No.	Pin Name	I/O	Description
1	V1	I	Validity Bit Input Pin
2	TRANS	I	Audio Routing Mode (Transparent Mode) Pin at Synchronous mode 0: Normal mode, 1: Audio routing mode (transparent mode)
3	PDN	I	Power Down & Reset Pin (Pull-up Pin) When "L", the AK4103A is powered-down, TXP/N pins are "L" and the control registers are reset to default values.
4	MCLK	I	Master Clock Input Pin
5	SDTI	I	Audio Serial Data Input Pin
6	BICK	I/O	Audio Serial Data Clock Input/Output Pin Serial Clock for SDTI pin which can be configured as an output based on the DIF2-0 inputs.
7	LRCK	I/O	Input/Output Channel Clock Pin Indicates left or right channel, and can be configured as an output based on the DIF2-0 inputs.
8	FS0	I	Sampling Frequency Select 0 Pin at Synchronous mode (Pull-down Pin)
	CSN	I	Host Interface Chip Select Pin at Asynchronous mode (Pull-down Pin)
	AKMODE	I	AK4112B Mode Pin at Audio routing mode (Pull-down Pin) 0: Non-AKM receivers mode, 1: AK4112B mode
9	FS1	I	Sampling Frequency Select 1 Pin at Synchronous mode (Pull-down Pin)
	CDTI	I	Host Interface Data Input Pin at Asynchronous mode (Pull-down Pin)
10	FS2	I	Sampling Frequency Select 2 Pin at Synchronous mode (Pull-down Pin)
	CCLK	I	Host Interface Bit Clock Input Pin at Asynchronous mode (Pull-down Pin)
11	FS3	I	Sampling Frequency Select 3 Pin at Synchronous mode (Pull-down Pin)
	CDTO	O	Host Interface Data Output Pin at Asynchronous mode (Pull-down Pin)
12	C1	I	Channel Status Bit Input Pin
13	ANS	I	Asynchronous/Synchronous Mode Select Pin (Pull-up Pin) 0: Asynchronous mode, 1: Synchronous mode
14	BLS	I/O	Block Start Input/Output Pin (Pull-down Pin) In normal mode, the channel status block output is "H" for the first four bytes. In audio routing mode, the pin is configured as an input. When PDN pin = "L", BLS pin goes "H" at Normal mode.
15	CKS0	I	Clock Mode Select 0 Pin (Pull-up Pin)
16	CKS1	I	Clock Mode Select 1 Pin (Pull-down Pin)
17	VDD	-	Power Supply Pin, 4.75V~5.25V
18	VSS	-	Ground Pin, 0V
19	TXN	O	Negative Differential Output Pin
20	TXP	O	Positive Differential Output Pin
21	DIF0	I	Audio Serial Interface Select 0 Pin (Pull-down Pin)
22	DIF1	I	Audio Serial Interface Select 1 Pin (Pull-down Pin)
23	DIF2	I	Audio Serial Interface Select 2 Pin (Pull-down Pin)
24	U1	I	User Data Bit Input Pin for Channel 1 (Pull-down Pin)

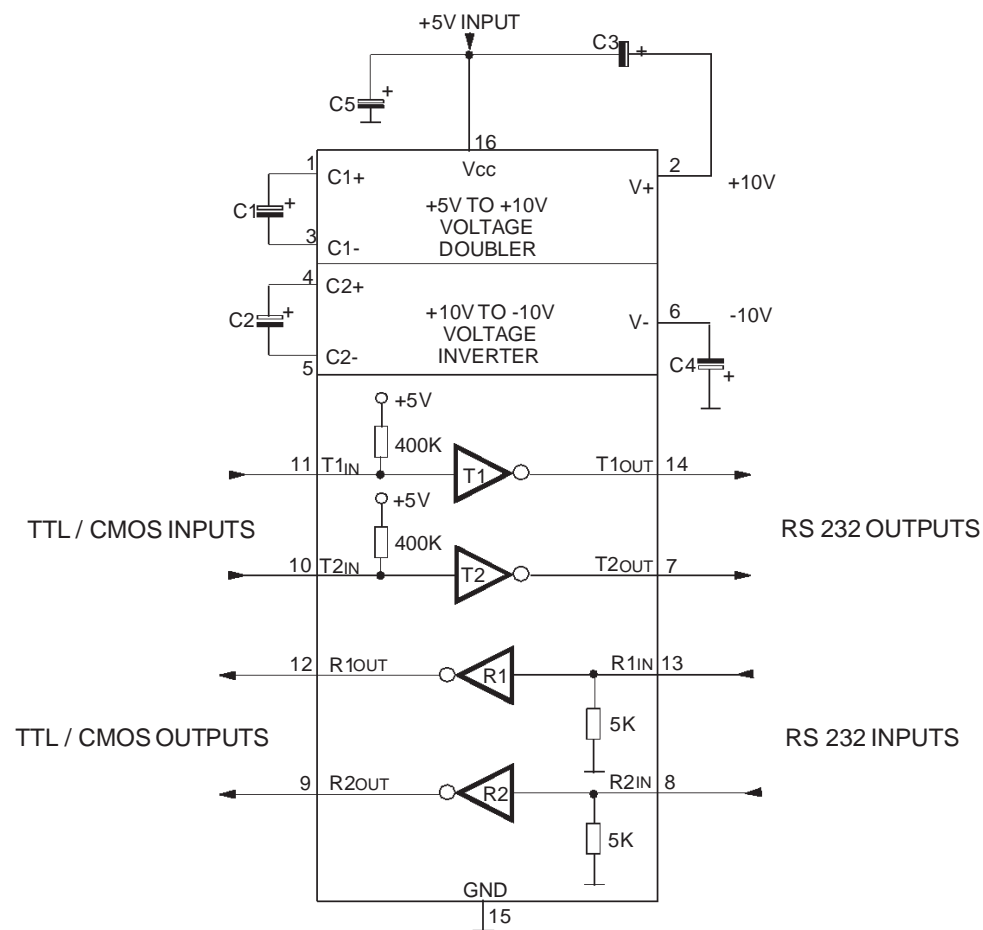
Notes:

1. Internal pull-up and pull-down resistors are connected on-chip. The value of the resistors is 43kΩ (typ).
2. All input pins except internal pull-down/pull-up pins should not be left floating.

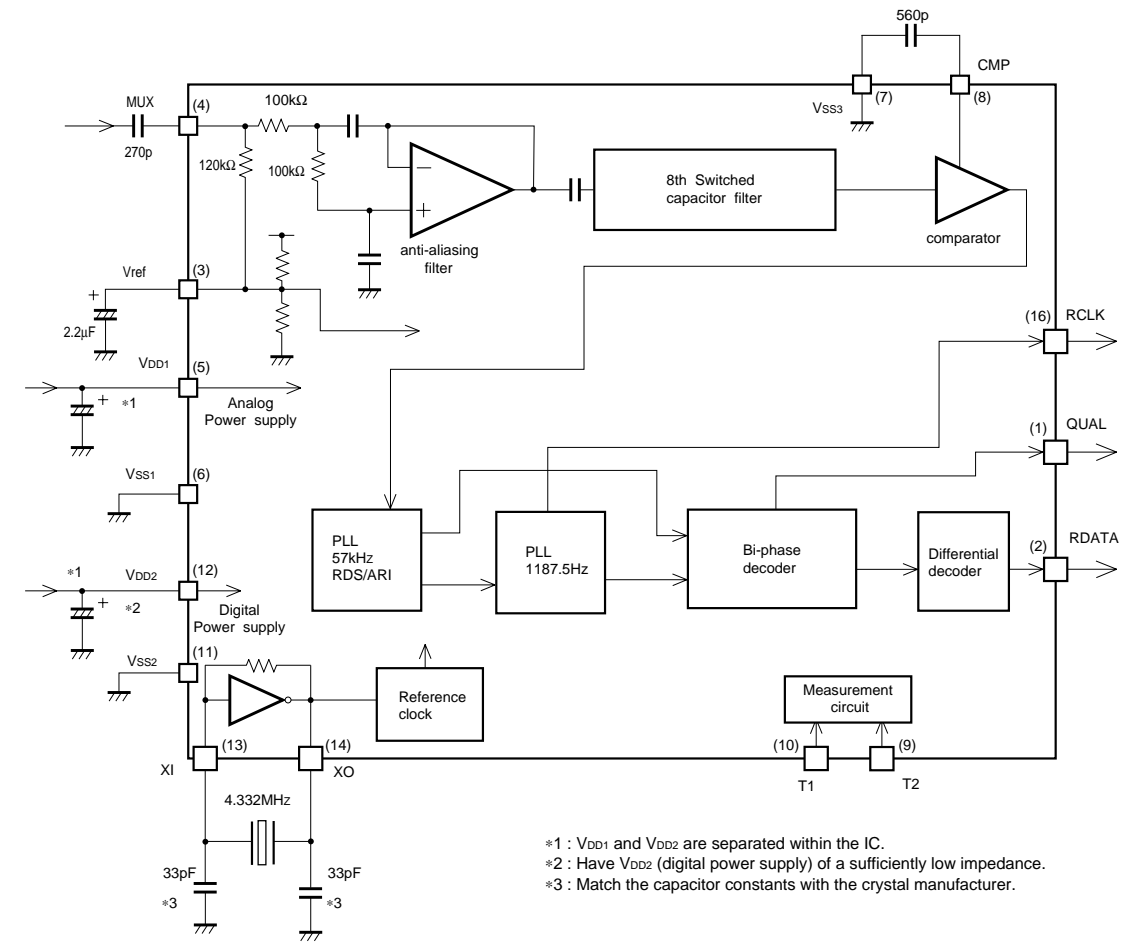
IC305 : ST232CDR

PIN DESCRIPTION

PIN No	SYMBOL	NAME AND FUNCTION
1	C ₁₊	Positive Terminal for the first Charge Pump Capacitor
2	V ₊	Doubled Voltage Terminal
3	C ₁₋	Negative Terminal for the first Charge Pump Capacitor
4	C ₂₊	Positive Terminal for the second Charge Pump Capacitor
5	C ₂₋	Negative Terminal for the second Charge Pump Capacitor
6	V ₋	Inverted Voltage Terminal
7	T _{2OUT}	Second Transmitter Output Voltage
8	R _{2IN}	Second Receiver Input Voltage
9	R _{2OUT}	Second Receiver Output Voltage
10	T _{2IN}	Second Transmitter Input Voltage
11	T _{1IN}	First Transmitter Input Voltage
12	R _{1OUT}	First Receiver Output Voltage
13	R _{1IN}	First Receiver Input Voltage
14	T _{1OUT}	First Transmitter Output Voltage
15	GND	Ground
16	V _{CC}	Supply Voltage



IC306 : BU1924F / RDS

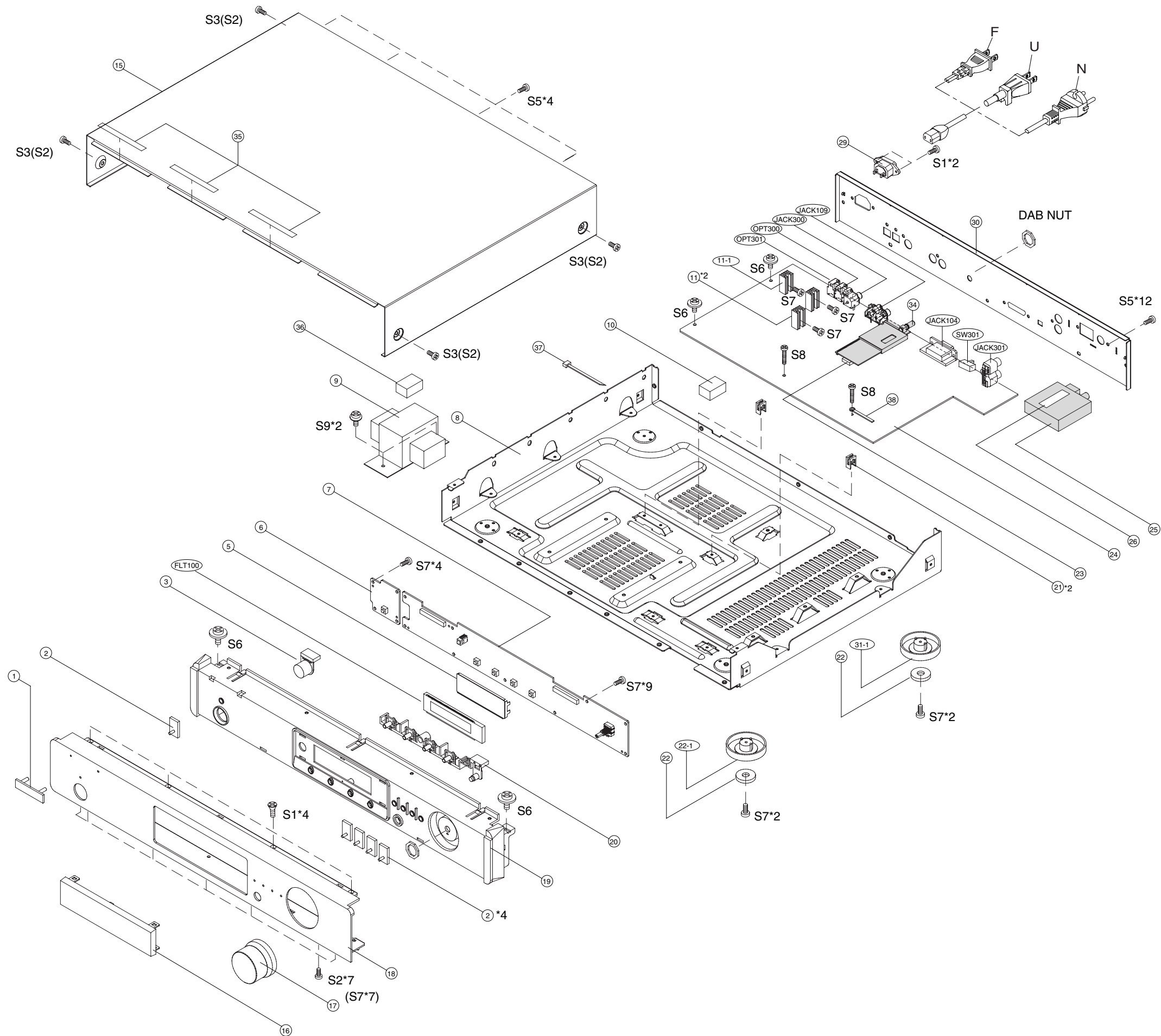


- *1 : V_{DD1} and V_{DD2} are separated within the IC.
- *2 : Have V_{DD2} (digital power supply) of a sufficiently low impedance.
- *3 : Match the capacitor constants with the crystal manufacturer.

● Pin descriptions

Pin No.	Symbol	Pin name	Functions	Input/Output type
1	QUAL	Demodulator quality	Good data : High, bad data : Low	Type C
2	RDATA	Demodulator data	Refer to output data timing	-
3	Vref	Reference voltage	1/2 V _{DD1} (refer to input/output circuits)	Type E
4	MUX	Input	Composite signal input (refer to input/output circuits)	Type D
5	V _{DD1}	Analog power supply	4.5V to 5.5V	-
6	V _{SS1}	GND	-	-
7	V _{SS3}	GND	-	-
8	CMP	Comparator input	C-junction (refer to input/output circuits)	Type D
9	T2	Test input	Open or connected to ground	Type B
10	T1			
11	V _{DD2}	Digital power supply	4.5V to 5.5V	-
12	V _{SS2}	GND	-	-
13	XI	Crystal oscillator	Connects to 4.332MHz oscillator (refer to input/output circuits)	Type A
14	XO			
15	(N.C.)	-	-	-
16	RCLK	Demodulator clock	1187.5Hz clock (refer to the timing diagram)	Type C

10. EXPLODED VIEW AND PARTS LIST



P.C.B. NAME	POS. NO.	VERS. COLOR	PART NO. (FOR EUR)	PART NO. (MZ)	PART NAME	DESCRIPTION	
	1	N1B	00M24AW251010	00M24AW251010	BADGE	NEW MARANTZ BADGE	5630210438100S
	1	N1S	00M24AW251020	00M24AW251020	BADGE	NEW MARANTZ BADGE SILVER	5630210438000S
	2		90M322W355010	90M322W355010	LENS	INDICATOR POWER STANDBY	5160210063000S
	3	N1B	00M46BW270010	00M46BW270010	BUTTON	BUTTON POWER BLACK	5097211271000S
	3	N1S	00M46BW270210	00M46BW270210	BUTTON	BUTTON POWER SILVER	5097211271100S
	5		nsp	nsp	HOLDER	STPE 0.3T A4/FLT	4320210496100S
	6		nsp	nsp	PWB ASSY	POWERKEY PWB ASSY	7028064093010
	7		nsp	nsp	PWB ASSY	FRONT PWB ASSY	7028064092010
	8		nsp	nsp	CHASSIS	MAIN CHASSIS	3200211386100S
	▲ 9		90M-TS002560R	90M-TS002560R	TRANSF.	! POWER TRANSF. 230V/50HZ	8200570300020S
	10		nsp	nsp	BUFFER	EVA(BK)A4/TRANS 50*20*12T	4050210485000S
	11		nsp	nsp	HEATSINK	HEAT SINK (24X30)	2120044288010S
	11-1		nsp	nsp	HEATSINK	AL EX (A4) / REG TR 30*34	2120210318100F
	16	N1B	00M46BW158110	00M46BW158110	WINDOW	WINDOW DISPLAY BLACK/GOLD	5077212143100S
	16	N1S	00M46BW158210	00M46BW158210	WINDOW	WINDOW DISPLAY SILVER	5077212143000S
	17	N1B	00M46BW154010	00M46BW154010	KNOB	KNOB VOLUME BLACK	5087211201010S
	17	N1S	00M46BW154210	00M46BW154210	KNOB	KNOB VOLUME SILVER	5087211201000S
	18	N1B	00M46BW248010	00M46BW248010	PANEL	PANEL FRONT BLACK	3067212398100S
	18	N1S	00M46BW248210	00M46BW248210	PANEL	PANEL FRONT SILVER	3067212398000S
	19	N1B	00M46BW105010	00M46BW105010	CHASSIS	PANEL FRAME BLACK	3217211121100S
	19	N1S	00M46BW105210	00M46BW105210	CHASSIS	PANEL FRAME SILVER	3217211121000S
	20	N1B	00M46BW270020	00M46BW270020	BUTTON	BUTTON FUNCTION BLACK	5097212781100S
	20	N1S	00M46BW270220	00M46BW270220	BUTTON	BUTTON FUNCTION SILVER	5097212781000S
	21		nsp	nsp	SUPPORT	UPAF07 ABS BK/PCB	4070001601010S
	22		90M46BW056010	90M46BW056010	BUFFER	RUBBER CUSHION	4050211175000S
	22-1	N1B	00M46BW057110	00M46BW057110	LEG	FOOT GOLD FRONT	4007000600010S
	22-1	N1S	00M46BW057210	00M46BW057210	LEG	FOOT SILVER FRONT	4007000600000S
	23		nsp	nsp	BUFFER	25X9X3T	4050210955000S
	24		nsp	nsp	PWB ASSY	MAIN PWB ASSY	7028064091010
	25		90M-AV000460R	90M-AV000460R	TUNER	FM/AM TUNER FOR N	E903141130010
	▲ 29		90M-YT004530R	90M-YT004530R	TERMINAL	! INLET 2P AC05-4S008A	G430040560020S
	30		nsp	nsp	PANEL	REAR PANEL N	3207211696000S
	31-1	N1B	00M46BW057310	00M46BW057310	LEG	FOOT GOLD REAR	4007210321010S
	31-1	N1S	00M46BW057410	00M46BW057410	LEG	FOOT SILVER REAR	4007210321000S
	34		00D9630225308	00D9630225308	TUNER	TDE-2002-A2 EUREKA-147	E907200200010S
	35		nsp	nsp	BUFFER	60*14*1.5T FELT	4050211385000S
	36		nsp	nsp	BUFFER	20*30*13.0T TRANS	4050211345000S
	37		nsp	nsp	CLAMPER	CABLE TIE DACT-100A	4330040343010S
	38		nsp	nsp	CLAMPER	DARB-2(W=2.6,L=50)	4330000310000S
			nsp	90M-YU002070R	FPC	1.25*15*120*(5/5/10/10)*(0.05*0.8)	N712151233810S
			nsp	nsp	CORD	240MM/2P CKM3962-03XSLEEVE	L000241020040F
PACKING							
			00M46BW851310	00M46BW851310	USER GUIDE	USER GUIDE ST7001 N	5707047250110S
	▲		90M-ZC000450R	90M-ZC000450R	MAINS CORD	! HO5VV-F 1.0MMSQ 10/16A 250V	L061000000060
			00MZK46BW0010	00MZK46BW0010	UNIT KIT	REMOTE CONTROLLER RC7001ST	8300323500020
NOT STANDARD SPARE PART							
			nsp	00M46BW801010	PACKING CASE	PACKING CASE	6007210770000S
			nsp	00M46BW809020	CUSHION	CUSHION R FOR UNIT	6230211314000S
			nsp	00M46BW809010	CUSHION	CUSHION L FOR UNIT	6230211304000S
	15	N1B	nsp	00M46BW257010	LID	TOP COVER BLACK	3007210456110S
	15	N1S	nsp	00M46BW257210	LID	TOP COVER SILVER	3007210456100S
			nsp	90M-ZA000130R	ANTENNA	FM ANTENNA TRIANGLE	E605000030010
			nsp	90M-ZA000140R	ANTENNA	AM ANTENNA LOOP	E605010090010
			nsp	90M-ZD000520R	CONN. CORD	CINCH 2P AUDIO CABLE	L063122020010
			nsp	90M-ZD000530R	CONN. CORD	CINCH 1P REMOTE CABLE	L063841010010F
			nsp	90M-ZA000150R	ANTENNA	DAB TUNER ANTENNA ROD	E600355000010S

NOTE : *nsp* PART IS LISTED FOR REFERENCE ONLY, MARANTZ WILL NOT SUPPLY THESE PARTS.

11. ELECTRICAL PARTS LIST

PARTS INFORMATION

RESISTORS

- 1) 00MGD05 × × × 140, Carbon film fixed resistor, ±5% 1/4W
- 2) 00MGD05 × × × 160, Carbon film fixed resistor, ±5% 1/6W

① — Resistance value

Examples ;

- ① Resistance value
- 0.1 Ω 001 10 Ω 100 1 kΩ 102 100 kΩ 104
- 0.5 Ω 005 18 Ω 180 2.7 kΩ 272 680 kΩ 684
- 1 Ω 010 100 Ω 101 10 kΩ 103 1 MΩ 105
- 6.8 Ω 068 390 Ω 391 22 kΩ 223 4.7 MΩ 475

Note : Please distinguish 1/4W from 1/6W by the shape of parts used actually.

CAPACITORS

CERAMIC CAP.

- 3) 00MDD1 × × × × 370 Ceramic capacitor
- Disc type
- Temp.coef.P350 ~N1000, 50V
- ② — Capacity value
- ③ — Tolerance

Examples ;

- ② Tolerance (Capacity deviation)
- ±0.25 pF 0
- ±0.5 pF 1
- ±5% 5

* Tolerance of COMMON PARTS handled here are as follows :

- 0.5 pF ~ 5 pF ±0.25 pF
- 6 pF ~ 10 pF ±0.5 pF
- 12 pF ~ 560 pF ±5%

③ Capacity value

- 0.5 pF 005 3 pF 030 100 pF 101
- 1 pF 010 10 pF 100 220 pF 221
- 1.5 pF 015 47 pF 470 560 pF 561

CERAMIC CAP.

- 4) 00MDK16 × × × 300, High dielectric constant ceramic capacitor
- Disc type
- Temp.chara. 2B4, 50V
- ④ — Capacity value

Examples ;

- ④ Capacity value
- 100 pF 101 1000 pF 102 10000 pF 103
- 470 pF 471 2200 pF 222

ELECTROLY CAP. (⏏)

- 5) 00MEA × × × × × 10, Electrolytic capacitor
- One-way lead type, Tolerance ±20%
- ⑤ — Working voltage
- ⑥ — Capacity value

Examples ;

- ⑤ Capacity value
- 0.1 μF 104 4.7 μF 475 100 μF 107
- 0.33 μF 334 10 μF 106 330 μF 337
- 1 μF 105 22 μF 226 1100 μF 118
- 2200 μF 228
- ⑥ Working voltage
- 6.3V 006 25V 025
- 10V 010 35V 035
- 16V 016 50V 050

FILM CAP. (⏏)

- 6) 00MDF15 × × × 350 Plastic film capacitor
- 00MDF15 × × × 310 One-way type, Mylar ±5% 50V
- 00MDF16 × × × 310 Plastic film capacitor
- One-way type, Mylar ±10% 50V
- ⑦ — Capacity value

Examples ;

- ⑦ Capacity value
- 0.001 μF (1000 pF) 102 0.1 μF 104
- 0.0018 μF 182 0.56 μF 564
- 0.01 μF 103 1 μF 105
- 0.015 μF 153

NOTE ON SAFETY FOR FUSIBLE RESISTOR :

The suppliers and their type numbers of fusible resistors are as follows;

1. KOA Corporation

Part No. (MJI)	Type No. (KOA)	Description
00MNH05 × × × 140	RF25S × × × × ΩJ	(±5% 1/4W)
00MNH05 × × × 120	RF50S × × × × ΩJ	(±5% 1/2W)
00MNH85 × × × 110	RF73B2A × × × × ΩJ	(±5% 1/10W)
00MNH95 × × × 140	RF73B2E × × × × ΩJ	(±5% 1/4W)

* Resistance value (0.1 Ω – 10 kΩ)

2. Matsushita Electronic Components Co., Ltd

Part No. (MJI)	Type No. (MEC)	Description
00MNF05 × × × 140	ERD-2FCJ × × ×	(±5% 1/4W)
00MRF05 × × × 140		
00MNF02 × × × 140	ERD-2FCG × × ×	(±2% 1/4W)
00MRF02 × × × 140		

* Resistance value

Examples ;

- * Resistance value
- 0.1 Ω 001 10 Ω 100 1 kΩ 102 100 kΩ 104
- 0.5 Ω 005 18 Ω 180 2.7 kΩ 272 680 kΩ 684
- 1 Ω 010 100 Ω 101 10 kΩ 103 1 MΩ 105
- 6.8 Ω 068 390 Ω 391 22 kΩ 223 4.7 MΩ 475

ABBREVIATION AND MARKS

ANT. : ANTENNA	BATT. : BATTERY
CAP. : CAPACITOR	CER. : CERAMIC
CONN. : CONNECTING	DIG. : DIGITAL
HP : HEADPHONE	MIC. : MICROPHONE
μ-PRO : MICROPROCESSOR	REC. : RECORDING
RES. : RESISTOR	SPK : SPEAKER
SW : SWITCH	TRANSF. : TRANSFORMER
TRIM. : TRIMMING	TRS. : TRANSISTOR
VAR. : VARIABLE	X'TAL : CRYSTAL

NOTE ON FUSE :

Regarding to all parts of parts code 00MFS20xxx2xx, replace only with Wickmann-Werke GmbH, Type 372 non glass type fuse.

NOTE ON SAFETY :

Symbol \blacktriangle Fire or electrical shock hazard. Only original parts should be used to replaced any part marked with symbol \blacktriangle . Any other component substitution (other than original type), may increase risk of fire or electrical shock hazard.

安全上の注意 :

\blacktriangle がついている部品は、安全上重要な部品です。必ず指定されている部品番号の部品を使用して下さい。

P.C.B. NAME	POS. NO.	VERS. COLOR	PART NO. (FOR EUR)	PART NO. (MZ)	PART NAME	DESCRIPTION	
					FRONT B'D (FRONT PWB)		
FRONT	C111		nsp	nsp	CER. CAP.	F0.1UF-Z/50V-5RE PI6	D006104597050S
FRONT	C113		nsp	00D9609009911	ELECT. CAP.	100UF-M/10V.6.3*5-5RE SY	D040101082050F
FRONT	C114		nsp	nsp	CER. CAP.	F0.1UF-Z/50V-52RE	D005104597530S
FRONT	C115		nsp	00D9609009911	ELECT. CAP.	100UF-M/10V.6.3*5-5RE SY	D040101082050F
FRONT	C117		nsp	00D9639004698	CER. CAP.	X7R0.01UF-K/50V-1608REEL	D011103777160S
FRONT	C118		nsp	00D9639004698	CER. CAP.	X7R0.01UF-K/50V-1608REEL	D011103777160S
FRONT	C119		nsp	00D9630224309	CER. CAP.	X7R820PF-K/50V-1608REEL	D011821777160S
FRONT	C120		nsp	00D9630224309	CER. CAP.	X7R820PF-K/50V-1608REEL	D011821777160S
FRONT	C121		nsp	00D9639004708	CER. CAP.	X7R0.1UF-K/50V-1608REEL	D011104577160S
FRONT	C123		nsp	nsp	CER. CAP.	F0.047UF-Z/50V-5RE PI10	D004473597050S
FRONT	C124		nsp	nsp	CER. CAP.	F0.047UF-Z/50V-52RE	D005473597520S
FRONT	C133		nsp	00D9630223601	CER. CAP.	COG100PF-J/50V-1608REEL	D010101167160S
FRONT	C134		nsp	00D9630223601	CER. CAP.	COG100PF-J/50V-1608REEL	D010101167160S
FRONT	C135		nsp	00D9630223601	CER. CAP.	COG100PF-J/50V-1608REEL	D010101167160S
FRONT	C136		nsp	00D9630223601	CER. CAP.	COG100PF-J/50V-1608REEL	D010101167160S
FRONT	C137		nsp	00D9630224105	CER. CAP.	X7R1000PF-K/50V-1608REEL	D011102777160S
FRONT	C138		nsp	00D9630224105	CER. CAP.	X7R1000PF-K/50V-1608REEL	D011102777160S
FRONT	C145		nsp	00D9630223902	CER. CAP.	COG39PF-J/50V-1608REEL	D010390167160S
FRONT	CN100		nsp	nsp	CORD	240MM/11P GIL-S-11	L000241110010F
FRONT	CN101		nsp	nsp	CORD	200MM/11P GIL-S-11	L000201110020F
FRONT	CP200		nsp	nsp	CONN.	GIL-S-6P-S2L2-EF	L101220060010S
FRONT	D102		nsp	00D9630219709	DIODE	1N4148W SOD-323	K005041480020S
FRONT	D103		nsp	00D9630219709	DIODE	1N4148W SOD-323	K005041480020S
FRONT	D104		nsp	00D9630219709	DIODE	1N4148W SOD-323	K005041480020S
FRONT	D105		nsp	00D9630219709	DIODE	1N4148W SOD-323	K005041480020S
FRONT	DZ101		00D9600095500	00D9600095500	ZENER DIODE	MTZJ5.1B-0.5W/5MA-52MM	K06005R144520S
FRONT	FLT100		00D9630227403	00D9630227403	DISPLAY	162-SD-10GINK 106*25*6.6(T)	K530162100010S
FRONT	J102		nsp	nsp	CORD	JUMPER (0.6/52MM)	L045084006040S
FRONT	J103		nsp	nsp	CORD	JUMPER (0.6/52MM)	L045084006040S
FRONT	J104		nsp	nsp	CORD	JUMPER (0.6/52MM)	L045084006040S
FRONT	J105		nsp	nsp	CORD	JUMPER (0.6/52MM)	L045084006040S
FRONT	J107		nsp	nsp	CORD	JUMPER (0.6/52MM)	L045084006040S
FRONT	J108		nsp	nsp	CORD	JUMPER (0.6/52MM)	L045084006040S
FRONT	J109		nsp	nsp	CORD	JUMPER (0.6/52MM)	L045084006040S
FRONT	J110		nsp	nsp	CORD	JUMPER (0.6/52MM)	L045084006040S
FRONT	J111		nsp	nsp	CORD	JUMPER (0.6/52MM)	L045084006040S
FRONT	J112		nsp	nsp	CORD	JUMPER (0.6/52MM)	L045084006040S
FRONT	J123		nsp	nsp	CORD	JUMPER (0.6/52MM)	L045084006040S
FRONT	J124		nsp	nsp	CORD	JUMPER (0.6/52MM)	L045084006040S
FRONT	J125		nsp	nsp	CORD	JUMPER (0.6/52MM)	L045084006040S
FRONT	J126		nsp	nsp	CORD	JUMPER (0.6/52MM)	L045084006040S
FRONT	J127		nsp	nsp	CORD	JUMPER (0.6/52MM)	L045084006040S
FRONT	J128		nsp	00D9630223009	CHIP RES.	0-J,1/16W-1608REEL	C20000006M160F
FRONT	J129		nsp	nsp	CORD	JUMPER (0.6/52MM)	L045084006040S
FRONT	J130		nsp	00D9630223009	CHIP RES.	0-J,1/16W-1608REEL	C20000006M160F
FRONT	LED101		90M-HI101140R	90M-HI101140R	L.E.D.	PI5-GN/KD-1LG	K500000020000S
FRONT	LED102		00D9630227209	00D9630227209	L.E.D.	HL-50RDR RED 5PI P=2.54MM	K500052008010S
FRONT	LED103		00D9630227209	00D9630227209	L.E.D.	HL-50RDR RED 5PI P=2.54MM	K500052008010S
FRONT	LED104		90M-HI101130R	90M-HI101130R	L.E.D.	HL-50YDY 5PI YELLOW P=2.54MM	K500054000010S
FRONT	Q104		00D9600111808	00D9600111808	TRS.	TR CHIP KRC107S SOT23	J5020107S0050S
FRONT	Q105		00D9600111808	00D9600111808	TRS.	TR CHIP KRC107S SOT23	J5020107S0050S
FRONT	Q106		00D9600111808	00D9600111808	TRS.	TR CHIP KRC107S SOT23	J5020107S0050S
FRONT	Q107		00D9600111808	00D9600111808	TRS.	TR CHIP KRC107S SOT23	J5020107S0050S
FRONT	R101		nsp	nsp	RES.	220-J,1/5W-52RE-AX	C00002216P520F
FRONT	R102		nsp	nsp	RES.	220-J,1/5W-52RE-AX	C00002216P520F
FRONT	R103		nsp	nsp	RES.	220-J,1/5W-52RE-AX	C00002216P520F
FRONT	R104		nsp	nsp	RES.	220-J,1/5W-52RE-AX	C00002216P520F
FRONT	R106		nsp	00MNN05103610	CHIP RES.	10K-J,1/16W-1608REEL	C20001036M160F
FRONT	R107		nsp	00MNN05432610	CHIP RES.	4.3K-J,1/16W-1608REEL	C20004326M160F
FRONT	R108		nsp	00MNN05562610	CHIP RES.	5.6K-J,1/16W-1608REEL	C20005626M160F
FRONT	R109		nsp	00MNN05123610	CHIP RES.	12K-J,1/16W-1608REEL	C20001236M160F
FRONT	R110		nsp	00MNN05103610	CHIP RES.	10K-J,1/16W-1608REEL	C20001036M160F
FRONT	R111		nsp	00MNN05432610	CHIP RES.	4.3K-J,1/16W-1608REEL	C20004326M160F
FRONT	R112		nsp	00MNN05562610	CHIP RES.	5.6K-J,1/16W-1608REEL	C20005626M160F
FRONT	R113		nsp	nsp	RES.	10-J,1/5W-52RE-AX	C00001006P520F
FRONT	R114		nsp	nsp	RES.	22-J,1/5W-52RE-AX	C00002206P520F

NOTE : *nsp* PART IS LISTED FOR REFERENCE ONLY, MARANTZ WILL NOT SUPPLY THESE PARTS.

P.C.B. NAME	POS. NO.	VERS. COLOR	PART NO. (FOR EUR)	PART NO. (MZ)	PART NAME	DESCRIPTION	
FRONT	R118		nsp	00MNN05822610	CHIP RES.	8.2K-J,1/16W-1608REEL	C20008226M160F
FRONT	R120		nsp	nsp	RES.	100-J,1/5W-52RE	C00001016P520F
FRONT	R123		nsp	nsp	RES.	100-J,1/5W-52RE	C00001016P520F
FRONT	R127		nsp	00MNN05103610	CHIP RES.	10K-J,1/16W-1608REEL	C20001036M160F
FRONT	R128		nsp	00MNN05103610	CHIP RES.	10K-J,1/16W-1608REEL	C20001036M160F
FRONT	R132		nsp	00MNN05101610	CHIP RES.	100-J,1/16W-1608REEL	C20001016M160F
FRONT	R133		nsp	00MNN05101610	CHIP RES.	100-J,1/16W-1608REEL	C20001016M160F
FRONT	R139		nsp	nsp	RES.	10-J,1/5W-52RE-AX	C00001006P520F
FRONT	R140		nsp	00MNN05221610	CHIP RES.	220-J,1/16W-1608REEL	C20002216M160F
FRONT	R141		nsp	00MNN05221610	CHIP RES.	220-J,1/16W-1608REEL	C20002216M160F
FRONT	R142		nsp	00MNN05221610	CHIP RES.	220-J,1/16W-1608REEL	C20002216M160F
FRONT	R143		nsp	00MNN05101610	CHIP RES.	100-J,1/16W-1608REEL	C20001016M160F
FRONT	R145		nsp	nsp	CORD	JUMPER (0.6/52MM)	L045084006040S
FRONT	R177		nsp	nsp	CORD	JUMPER (0.6/52MM)	L045084006040S
FRONT	RMC100		00D9630225405	00D9630225405	PHOTO UNIT	NJL33H380A 38KHZ 10.2*7	E940333800010P
FRONT	S102		00D9630045708	00D9630045708	SW	SKHV10920A,5MM/260G-REEL	G180000270010S
FRONT	S103		00D9630045708	00D9630045708	SW	SKHV10920A,5MM/260G-REEL	G180000270010S
FRONT	S105		00D9630045708	00D9630045708	SW	SKHV10920A,5MM/260G-REEL	G180000270010S
FRONT	S106		00D9630045708	00D9630045708	SW	SKHV10920A,5MM/260G-REEL	G180000270010S
FRONT	S107		00D9630045708	00D9630045708	SW	SKHV10920A,5MM/260G-REEL	G180000270010S
FRONT	VR100		00D9630225502	00D9630225502	ROTARY SW	EC11B20D2-ZZZ 20PULSE L=10MM	G121112020010S
					MAIN B'D (MAIN PWB)		
MAIN	BD104		00D9630220002	00D9630220002	EMI FILTER	HB-IT2012-121JT 2012REEL	7611010000020S
MAIN	BD105		00D9630220002	00D9630220002	EMI FILTER	HB-IT2012-121JT 2012REEL	7611010000020S
MAIN	BD106		00D9630220002	00D9630220002	EMI FILTER	HB-IT2012-121JT 2012REEL	7611010000020S
MAIN	BD107		00D9630220002	00D9630220002	EMI FILTER	HB-IT2012-121JT 2012REEL	7611010000020S
MAIN	BEAD100		00D9630126504	00D9630126504	EMI FILTER	BFS 3550R2F 3.5*5.0 R.REEL	7610035500030S
MAIN	C126		nsp	00D9639004708	CER. CAP.	X7R0.1UF-K/50V-1608REEL	D011104577160S
MAIN	C127		nsp	00D9630223601	CER. CAP.	COG100PF-J/50V-1608REEL	D010101167160S
MAIN	C130L		nsp	nsp	FILM CAP.	MI-0.001UF-J/50V-5RE	D020102167050P
MAIN	C130R		nsp	nsp	FILM CAP.	MI-0.001UF-J/50V-5RE	D020102167050P
MAIN	C131		nsp	00D9639005778	ELECT. CAP.	10UF-M/50V,5*11-5RE	D040100087050F
MAIN	C132		nsp	00D9630224202	CER. CAP.	X7R0.022UF-K/25V-1608REEL	D011223777160S
MAIN	C140		nsp	00D9630224202	CER. CAP.	X7R0.022UF-K/25V-1608REEL	D011223777160S
MAIN	C141		nsp	00D9630224202	CER. CAP.	X7R0.022UF-K/25V-1608REEL	D011223777160S
MAIN	C142		nsp	00D9639004708	CER. CAP.	X7R0.1UF-K/50V-1608REEL	D011104577160S
MAIN	C143		nsp	00D9639004708	CER. CAP.	X7R0.1UF-K/50V-1608REEL	D011104577160S
MAIN	C147L		nsp	nsp	CER. CAP.	SL220PF-J/50V-5RE	D004221067060S
MAIN	C147R		nsp	nsp	CER. CAP.	SL220PF-J/50V-5RE	D004221067060S
MAIN	C148L		nsp	nsp	CER. CAP.	SL220PF-J/50V-5RE	D004221067060S
MAIN	C148R		nsp	nsp	CER. CAP.	SL220PF-J/50V-5RE	D004221067060S
MAIN	C149		nsp	00D9639005862	ELECT. CAP.	47UF-M/16V,5*11-5RE.SY	D040470083080F
MAIN	C150		nsp	00D9639004698	CER. CAP.	X7R0.01UF-K/50V-1608REEL	D011103777160S
MAIN	C151		nsp	00D9639004708	CER. CAP.	X7R0.1UF-K/50V-1608REEL	D011104577160S
MAIN	C152		nsp	00D9639005794	ELECT. CAP.	100UF-M/16V,6.3*11	D040101083100F
MAIN	C153L		nsp	nsp	FILM CAP.	MI-0.001UF-J/50V-5RE	D020102167050P
MAIN	C153R		nsp	nsp	FILM CAP.	MI-0.001UF-J/50V-5RE	D020102167050P
MAIN	C154		nsp	00D9639004708	CER. CAP.	X7R0.1UF-K/50V-1608REEL	D011104577160S
MAIN	C155		nsp	00D9639004708	CER. CAP.	X7R0.1UF-K/50V-1608REEL	D011104577160S
MAIN	C156		nsp	00D9639005794	ELECT. CAP.	100UF-M/16V,6.3*11	D040101083100F
MAIN	C157		nsp	00D9639004708	CER. CAP.	X7R0.1UF-K/50V-1608REEL	D011104577160S
MAIN	C158		nsp	nsp	CER. CAP.	F0.1UF-Z/50V-52RE	D005104597530S
MAIN	C159L		nsp	00D9639005862	ELECT. CAP.	47UF-M/16V,5*11-5RE.SY	D040470083080F
MAIN	C159R		nsp	00D9639005862	ELECT. CAP.	47UF-M/16V,5*11-5RE.SY	D040470083080F
MAIN	C160		nsp	00D9639005862	ELECT. CAP.	47UF-M/16V,5*11-5RE.SY	D040470083080F
MAIN	C162		nsp	00D9639005862	ELECT. CAP.	47UF-M/16V,5*11-5RE.SY	D040470083080F
MAIN	C163		nsp	00D9639005862	ELECT. CAP.	47UF-M/16V,5*11-5RE.SY	D040470083080F
MAIN	C164		nsp	00D9639004708	CER. CAP.	X7R0.1UF-K/50V-1608REEL	D011104577160S
MAIN	C165L		nsp	00D9639004698	CER. CAP.	X7R0.01UF-K/50V-1608REEL	D011103777160S
MAIN	C165R		nsp	00D9639004698	CER. CAP.	X7R0.01UF-K/50V-1608REEL	D011103777160S
MAIN	C166		nsp	00D9609010832	ELECT. CAP.	10UF-M/16V,3*5-5RE SY	D040100083050F
MAIN	C167		nsp	nsp	CER. CAP.	F0.1UF-Z/50V-52RE	D005104597530S
MAIN	C170L		nsp	nsp	FILM CAP.	MI-0.01UF-J/50V-5RE	D020103167050P
MAIN	C170R		nsp	nsp	FILM CAP.	MI-0.01UF-J/50V-5RE	D020103167050P
MAIN	C171		nsp	00D9639004698	CER. CAP.	X7R0.01UF-K/50V-1608REEL	D011103777160S
MAIN	C172		nsp	00D9639004698	CER. CAP.	X7R0.01UF-K/50V-1608REEL	D011103777160S
MAIN	C173		nsp	nsp	CER. CAP.	F0.1UF-Z/50V-52RE	D005104597530S

NOTE : *nsp* PART IS LISTED FOR REFERENCE ONLY, MARANTZ WILL NOT SUPPLY THESE PARTS.

P.C.B. NAME	POS. NO.	VERS. COLOR	PART NO. (FOR EUR)	PART NO. (MZ)	PART NAME	DESCRIPTION
MAIN	C174		nsp	00D9639005862	ELECT. CAP.	47UF-M/16V,5*11-5RE.SY D040470083080F
MAIN	C175		nsp	00D9639005794	ELECT. CAP.	100UF-M/16V,6.3*11 D040101083100F
MAIN	C176		nsp	nsp	CER. CAP.	SL10PF-J/50V-52RE D001100067520
MAIN	C177		nsp	nsp	CER. CAP.	SL33PF-J/50V-52RE D001330067520
MAIN	C178		nsp	nsp	CER. CAP.	SL10PF-J/50V-52RE D001100067520
MAIN	C179		nsp	nsp	CER. CAP.	SL33PF-J/50V-52RE D001330067520
MAIN	C180L		nsp	00D9630224008	CER. CAP.	COG470PF-J/50V-1608REEL D010471167160S
MAIN	C180R		nsp	00D9630224008	CER. CAP.	COG470PF-J/50V-1608REEL D010471167160S
MAIN	C181		nsp	00D9639005778	ELECT. CAP.	10UF-M/50V,5*11-5RE D040100087050F
MAIN	C182		nsp	00D9639005778	ELECT. CAP.	10UF-M/50V,5*11-5RE D040100087050F
MAIN	C183		nsp	00D9639004698	CER. CAP.	X7R0.01UF-K/50V-1608REEL D011103777160S
MAIN	C185L		nsp	00D9639005862	ELECT. CAP.	47UF-M/16V,5*11-5RE.SY D040470083080F
MAIN	C185R		nsp	00D9639005862	ELECT. CAP.	47UF-M/16V,5*11-5RE.SY D040470083080F
MAIN	C186		nsp	00D9639005862	ELECT. CAP.	47UF-M/16V,5*11-5RE.SY D040470083080F
MAIN	C188		nsp	00D9639005862	ELECT. CAP.	47UF-M/16V,5*11-5RE.SY D040470083080F
MAIN	C200		nsp	00D9639004708	CER. CAP.	X7R0.1UF-K/50V-1608REEL D011104577160S
MAIN	C201		nsp	00D9630224600	ELECT. CAP.	220UF-M/16V,8*11.5-5RE,SMS-SY D040221083090F
MAIN	C202		nsp	00D9639005927	ELECT. CAP.	0.1UF-M/50V,5*11-5RE.SY D040R10087070F
MAIN	C300		nsp	00D9600133501	ELECT. CAP.	2200UF-M/16V,10*20-L.BLK SY D040222083080F
MAIN	C301		nsp	00D9639005794	ELECT. CAP.	100UF-M/16V,6.3*11 D040101083100F
MAIN	C302		nsp	00D9630224105	CER. CAP.	X7R1000PF-K/50V-1608REEL D011102777160S
MAIN	C303		nsp	00D9639004708	CER. CAP.	X7R0.1UF-K/50V-1608REEL D011104577160S
MAIN	C305		nsp	00D9639005778	ELECT. CAP.	10UF-M/50V,5*11-5RE D040100087050F
MAIN	C306		nsp	00D9639004698	CER. CAP.	X7R0.01UF-K/50V-1608REEL D011103777160S
MAIN	C307		nsp	00D9639005794	ELECT. CAP.	100UF-M/16V,6.3*11 D040101083100F
MAIN	C308		nsp	00D9639004698	CER. CAP.	X7R0.01UF-K/50V-1608REEL D011103777160S
MAIN	C309		nsp	00D9639005927	ELECT. CAP.	0.1UF-M/50V,5*11-5RE.SY D040R10087070F
MAIN	C310		nsp	00D9639005927	ELECT. CAP.	0.1UF-M/50V,5*11-5RE.SY D040R10087070F
MAIN	C311		nsp	00D9639005927	ELECT. CAP.	0.1UF-M/50V,5*11-5RE.SY D040R10087070F
MAIN	C312		nsp	00D9639005927	ELECT. CAP.	0.1UF-M/50V,5*11-5RE.SY D040R10087070F
MAIN	C313		nsp	00D9639005794	ELECT. CAP.	100UF-M/16V,6.3*11 D040101083100F
MAIN	C314		nsp	00D9639004698	CER. CAP.	X7R0.01UF-K/50V-1608REEL D011103777160S
MAIN	C315		nsp	00D9639005778	ELECT. CAP.	10UF-M/50V,5*11-5RE D040100087050F
MAIN	C316		nsp	00D9630224105	CER. CAP.	X7R1000PF-K/50V-1608REEL D011102777160S
MAIN	C320		nsp	00D9639004698	CER. CAP.	X7R0.01UF-K/50V-1608REEL D011103777160S
MAIN	C549		nsp	00D9639005862	ELECT. CAP.	47UF-M/16V,5*11-5RE.SY D040470083080F
MAIN	C550		nsp	00D9639005927	ELECT. CAP.	0.1UF-M/50V,5*11-5RE.SY D040R10087070F
MAIN	C551		nsp	00D9639006146	CER. CAP.	COG 560PF-J/50V-1608REEL D010561167160S
MAIN	C552		nsp	00D9630224503	ELECT. CAP.	22UF-M/50V,5*11-5RE.SY D040220087060F
MAIN	C559		nsp	00D9630223805	CER. CAP.	COG33PF-J/50V-1608REEL D010330167160S
MAIN	C566		nsp	00D9630223805	CER. CAP.	COG33PF-J/50V-1608REEL D010330167160S
MAIN	C567		nsp	nsp	CER. CAP.	B0.001UF-K/50V-5RE D004102277050S
MAIN	C568		nsp	00D9639004698	CER. CAP.	X7R0.01UF-K/50V-1608REEL D011103777160S
MAIN	C570		nsp	00D9639004698	CER. CAP.	X7R0.01UF-K/50V-1608REEL D011103777160S
MAIN	C572		nsp	00D9630223708	CER. CAP.	COG270PF-J/50V-1608REEL D010271167160S
MAIN	C575		nsp	00D9630223601	CER. CAP.	COG100PF-J/50V-1608REEL D010101167160S
MAIN	C576		nsp	00D9630223601	CER. CAP.	COG100PF-J/50V-1608REEL D010101167160S
MAIN	C577		nsp	00D9639004698	CER. CAP.	X7R0.01UF-K/50V-1608REEL D011103777160S
MAIN	C900		nsp	nsp	CER. CAP.	F0.01UF-Z/500V-5RE D00410359D050S
MAIN	C901		nsp	nsp	CER. CAP.	F0.01UF-Z/500V-5RE D00410359D050S
MAIN	C902		nsp	00D9630224804	ELECT. CAP.	3300UF-M/25V,16*25L.BLK SY D040332084010F
MAIN	C903		nsp	00D9639005862	ELECT. CAP.	47UF-M/16V,5*11-5RE.SY D040470083080F
MAIN	C904		nsp	00D9630224105	CER. CAP.	X7R1000PF-K/50V-1608REEL D011102777160S
MAIN	C905		nsp	00D9630183301	ELECT. CAP.	4700UF-M/25V,16*31.5L.BLK SY D040472084020F
MAIN	C906		nsp	00D9639005862	ELECT. CAP.	47UF-M/16V,5*11-5RE.SY D040470083080F
MAIN	▲ C907		00D9639006191	00D9639006191	CER. CAP.	! AC13F472MDOA 10.4.0*10.0 F.BLK D00847208K070S
MAIN	C908		nsp	00D9639004698	CER. CAP.	X7R0.01UF-K/50V-1608REEL D011103777160S
MAIN	C909		nsp	nsp	CER. CAP.	F0.01UF-Z/500V-5RE D00410359D050S
MAIN	C910		nsp	nsp	CER. CAP.	F0.01UF-Z/500V-5RE D00410359D050S
MAIN	C911		nsp	nsp	CER. CAP.	F0.01UF-Z/500V-5RE D00410359D050S
MAIN	C912		nsp	nsp	CER. CAP.	F0.01UF-Z/500V-5RE D00410359D050S
MAIN	C913		nsp	nsp	CER. CAP.	F0.01UF-Z/500V-5RE D00410359D050S
MAIN	C914		nsp	00D9639004698	CER. CAP.	X7R0.01UF-K/50V-1608REEL D011103777160S
MAIN	C915		nsp	00D9639004698	CER. CAP.	X7R0.01UF-K/50V-1608REEL D011103777160S
MAIN	C916		nsp	00D9630224901	ELECT. CAP.	47UF-M/100V,10*16 D04047008C100F
MAIN	C917		nsp	90MOA22505020	ELECT. CAP.	2.2UF-M/50V,5*11-5RE D0402R2087100F
MAIN	C918		nsp	00D9639005862	ELECT. CAP.	47UF-M/16V,5*11-5RE.SY D040470083080F

NOTE : *nsp* PART IS LISTED FOR REFERENCE ONLY, MARANTZ WILL NOT SUPPLY THESE PARTS.

P.C.B. NAME	POS. NO.	VERS. COLOR	PART NO. (FOR EUR)	PART NO. (MZ)	PART NAME	DESCRIPTION	
MAIN	C919		nsp	00D9639004698	CER. CAP.	X7R0.01UF-K/50V-1608REEL	D011103777160S
MAIN	C920		nsp	00D9639004698	CER. CAP.	X7R0.01UF-K/50V-1608REEL	D011103777160S
MAIN	C922		nsp	00D9639005888	ELECT. CAP.	47UF-M/50V,6.3*11-5RE.SY	D040470087060F
MAIN	C923		nsp	00D9639005749	ELECT. CAP.	1UF-M/50V,5*11-5RE.SY	D040010087080F
MAIN	C924		nsp	00D9639004698	CER. CAP.	X7R0.01UF-K/50V-1608REEL	D011103777160S
MAIN	C925		nsp	00D9639004698	CER. CAP.	X7R0.01UF-K/50V-1608REEL	D011103777160S
MAIN	C926		nsp	00D9630224600	ELECT. CAP.	220UF-M/16V,8*11.5-5RE,SMS-SY	D040221083090F
MAIN	C927		nsp	nsp	CER. CAP.	F0.01UF-Z/500V-5RE	D00410359D050S
MAIN	C928		nsp	00D9630224105	CER. CAP.	X7R1000PF-K/50V-1608REEL	D011102777160S
MAIN	C929		nsp	00D9639004698	CER. CAP.	X7R0.01UF-K/50V-1608REEL	D011103777160S
MAIN	C930		nsp	00MDD95270300	CER. CAP.	COG27PF-J/50V-1608REEL	D010270167160S
MAIN	C931		nsp	00D9630183301	ELECT. CAP.	4700UF-M/25V,16*31.5L.BLK SY	D040472084020F
MAIN	C932		nsp	00MDD95270300	CER. CAP.	COG27PF-J/50V-1608REEL	D010270167160S
MAIN	C950		nsp	00D9639005862	ELECT. CAP.	47UF-M/16V,5*11-5RE.SY	D040470083080F
MAIN	C951		nsp	00D9639005862	ELECT. CAP.	47UF-M/16V,5*11-5RE.SY	D040470083080F
MAIN	C959		nsp	00D9630224707	ELECT. CAP.	2200UF-M/35V,16*25-L.BLK SY	D040222085020F
MAIN	C960		nsp	00D9600186406	ELECT. CAP.	470UF-M/35V,10*16-S.BLK SY	D040471085010F
MAIN	CLAMP101		nsp	nsp	CLAMPER	W=2.6,L=50/WIRE	4330000120000S
MAIN	CN111		nsp	nsp	CORD	130MM/8P CKM2002H-8	L000131080030F
MAIN	CP100		nsp	nsp	CONN.	GIL-S-11P-S2T2-EF	L101220110000S
MAIN	CP101		nsp	nsp	CONN.	GIL-S-11P-S2T2-EF	L101220110000S
MAIN	CP110		nsp	nsp	FPC	SCB 1115-00 15P ST	L131111500010F
MAIN	CP900		nsp	nsp	CONN.	5267-06A 6P	L102526700600S
MAIN	CP901		nsp	nsp	CONN.	35328-0210	L104353280200S
MAIN	CP902		nsp	nsp	CONN.	YW396V(03AV)	L108039602010
MAIN	CP920		nsp	nsp	CONN.	5267-04A 4P	L102526700400S
MAIN	D300		nsp	00D9630219709	DIODE	1N4148W SOD-323	K005041480020S
MAIN	D301		nsp	00D2760401905	DIODE	1SS133T-72-52MM	K000013300520S
MAIN	D302		nsp	00D9630219709	DIODE	1N4148W SOD-323	K005041480020S
MAIN	D320		nsp	00D9630219709	DIODE	1N4148W SOD-323	K005041480020S
MAIN	D321		nsp	00D9630219709	DIODE	1N4148W SOD-323	K005041480020S
MAIN	D322		nsp	00D9630219709	DIODE	1N4148W SOD-323	K005041480020S
MAIN	D323		nsp	00D9630219709	DIODE	1N4148W SOD-323	K005041480020S
MAIN	D324		nsp	00D9630219709	DIODE	1N4148W SOD-323	K005041480020S
MAIN	D325		nsp	00D9630219709	DIODE	1N4148W SOD-323	K005041480020S
MAIN	D326		nsp	00D9630219709	DIODE	1N4148W FAST SWITCHING	K005041480020S
MAIN	D327		nsp	00D9630219709	DIODE	1N4148W FAST SWITCHING	K005041480020S
MAIN	D328		nsp	00D9630219709	DIODE	1N4148W FAST SWITCHING	K005041480020S
MAIN	D329		nsp	00D9630219709	DIODE	1N4148W FAST SWITCHING	K005041480020S
MAIN	D330		nsp	00D9630219709	DIODE	1N4148W FAST SWITCHING	K005041480020S
MAIN	D331		nsp	00D9630219709	DIODE	1N4148W FAST SWITCHING	K005041480020S
MAIN	D332		nsp	00D9630219709	DIODE	1N4148W FAST SWITCHING	K005041480020S
MAIN	D333		nsp	00D9630219709	DIODE	1N4148W FAST SWITCHING	K005041480020S
MAIN	D334		nsp	00D9630219709	DIODE	1N4148W FAST SWITCHING	K005041480020S
MAIN	D335		nsp	00D9630219709	DIODE	1N4148W FAST SWITCHING	K005041480020S
MAIN	D336		nsp	00D9630219709	DIODE	1N4148W FAST SWITCHING	K005041480020S
MAIN	D337		nsp	00D9630219709	DIODE	1N4148W FAST SWITCHING	K005041480020S
MAIN	D338		nsp	00D9630219709	DIODE	1N4148W FAST SWITCHING	K005041480020S
MAIN	D339		nsp	00D9630219709	DIODE	1N4148W FAST SWITCHING	K005041480020S
MAIN	D340		nsp	00D9630219709	DIODE	1N4148W FAST SWITCHING	K005041480020S
MAIN	D408		nsp	00D2760401905	DIODE	1SS133T-72-52MM	K000013300520S
MAIN	D900		nsp	00D9630058407	DIODE	IN4007 52REEL 1000V 1A	K000400700520S
MAIN	D901		nsp	00D9630058407	DIODE	IN4007 52REEL 1000V 1A	K000400700520S
MAIN	D902		nsp	00D9630058407	DIODE	IN4007 52REEL 1000V 1A	K000400700520S
MAIN	D903		nsp	00D9630058407	DIODE	IN4007 52REEL 1000V 1A	K000400700520S
MAIN	D904		nsp	00D2760401905	DIODE	1SS133T-72-52MM	K000013300520S
MAIN	D906		nsp	00D9630058407	DIODE	IN4007 52REEL 1000V 1A	K000400700520S
MAIN	D907		nsp	00D9630058407	DIODE	IN4007 52REEL 1000V 1A	K000400700520S
MAIN	D911		nsp	00D2760401905	DIODE	1SS133T-72-52MM	K000013300520S
MAIN	D912		nsp	00D9630058407	DIODE	IN4007 52REEL 1000V 1A	K000400700520S
MAIN	D913		nsp	00D9630058407	DIODE	IN4007 52REEL 1000V 1A	K000400700520S
MAIN	D914		nsp	00D9630058407	DIODE	IN4007 52REEL 1000V 1A	K000400700520S
MAIN	D915		nsp	00D9630058407	DIODE	IN4007 52REEL 1000V 1A	K000400700520S
MAIN	D916		nsp	00D9630058407	DIODE	IN4007 52REEL 1000V 1A	K000400700520S
MAIN	D917		nsp	00D9630219709	DIODE	1N4148W SOD-323	K005041480020S
MAIN	D918		nsp	00D9630058407	DIODE	IN4007 52REEL 1000V 1A	K000400700520S
MAIN	D919		nsp	00D2760401905	DIODE	1SS133T-72-52MM	K000013300520S

NOTE : *nsp* PART IS LISTED FOR REFERENCE ONLY, MARANTZ WILL NOT SUPPLY THESE PARTS.

P.C.B. NAME	POS. NO.	VERS. COLOR	PART NO. (FOR EUR)	PART NO. (MZ)	PART NAME	DESCRIPTION	
MAIN	D920		nsp	00D2760401905	DIODE	1SS133T-72-52MM	K000013300520S
MAIN	D921		nsp	00D2760401905	DIODE	1SS133T-72-52MM	K000013300520S
MAIN	FL900		nsp	nsp	HOLDER	PI5.2-REEL	G645000050010
MAIN	FR900		nsp	nsp	HOLDER	PI5.2-REEL	G645000050010
MAIN	▲ FUSE900		00D9630228402	00D9630228402	FUSE	! T200MA /250V-SVBRC(K) 218	N751222000110
MAIN	GND900		nsp	nsp	TERMINAL	MET37-0002/EARTH FITTING	3790040886000S
MAIN	IC102		00D9630226200	00D9630226200	IC	AD1852JRS SSOP28 /192KHZ 24BIT	J042185200010S
MAIN	IC104		00D9630024004	00D9630024004	IC	NJM2068M-SOP8P	J121206800020S
MAIN	IC105		00D9630227005	00D9630227005	CHIP FET	SP8K5TB N-CHANNEL SOP8	J544850000010S
MAIN	IC106		00D9630024004	00D9630024004	IC	NJM2068M-SOP8P	J121206800020S
MAIN	IC200		00D9600275304	00D9600275304	IC	74HCT153D SOP16P	J040741530040S
MAIN	IC205		90M-HC700570R	90M-HC700570R	IC	MM74LCX244 TSSOP 20P	J040742440180P
MAIN	IC206		90M-HC700300R	90M-HC700300R	IC	74VHCU04 SOP14	J040740400260
MAIN	IC300		00D9630226103	00D9630226103	U-PRO	MB90F352PFM-G LQFP64	J020903520010S
MAIN	IC304		00D9630226307	00D9630226307	IC	AK4103A 192KHZ 24-BIT VSOP24P	J042410300010S
MAIN	IC305		00D9630226404	00D9630226404	IC	ST232CDR 5V SOP16	J046232000030S
MAIN	IC306		00D9630226501	00D9630226501	IC	BU1924F SOP16	J124192400010S
MAIN	IC704		90M-HC109500R	90M-HC109500R	IC	M24C64-WMN6TP SOP8P	J000240640010S
MAIN	IC900		00D9600188909	00D9600188909	IC	KIA78DL06PI 20W LOW DROP	J126780600140S
MAIN	IC901		00D9600296008	00D9600296008	IC	CJ7805F TO-220F 15W 1.5A MOLD	J1267805000400S
MAIN	IC902		00D9630226608	00D9630226608	IC	KIA78R33API 3.3V LOW DROP 1A	J12678R330010S
MAIN	IC903		00D9600296105	00D9600296105	IC	CJ7812F TO-220F 15W 1.5A MOLD	J126781200220S
MAIN	IC904		00D9600296202	00D9600296202	IC	CJ7912F TO-220F 15W 1.5A MOLD	J126791200130S
MAIN	J300		nsp	nsp	CORD	JUMPER (0.6/52MM)	L045084006040S
MAIN	J301		nsp	00D9630223009	CHIP RES.	0-J,1/16W-1608REEL	C20000006M160F
MAIN	J302		nsp	nsp	CORD	JUMPER (0.6/52MM)	L045084006040S
MAIN	J303		nsp	00D9630223009	CHIP RES.	0-J,1/16W-1608REEL	C20000006M160F
MAIN	J304		nsp	nsp	CORD	JUMPER (0.6/52MM)	L045084006040S
MAIN	J305		nsp	nsp	CORD	JUMPER (0.6/52MM)	L045084006040S
MAIN	J306		nsp	nsp	CORD	JUMPER (0.6/52MM)	L045084006040S
MAIN	J307		nsp	nsp	CORD	JUMPER (0.6/52MM)	L045084006040S
MAIN	J308		nsp	nsp	CORD	JUMPER (0.6/52MM)	L045084006040S
MAIN	J309		nsp	nsp	CORD	JUMPER (0.6/52MM)	L045084006040S
MAIN	J310		nsp	nsp	CORD	JUMPER (0.6/52MM)	L045084006040S
MAIN	J311		nsp	00D9630223009	CHIP RES.	0-J,1/16W-1608REEL	C20000006M160F
MAIN	J312		nsp	nsp	CORD	JUMPER (0.6/52MM)	L045084006040S
MAIN	J313		nsp	nsp	CORD	JUMPER (0.6/52MM)	L045084006040S
MAIN	J314		nsp	nsp	CORD	JUMPER (0.6/52MM)	L045084006040S
MAIN	J315		nsp	00D9630223009	CHIP RES.	0-J,1/16W-1608REEL	C20000006M160F
MAIN	J316		nsp	nsp	CORD	JUMPER (0.6/52MM)	L045084006040S
MAIN	J317		nsp	nsp	CORD	JUMPER (0.6/52MM)	L045084006040S
MAIN	J318		nsp	nsp	CORD	JUMPER (0.6/52MM)	L045084006040S
MAIN	J319		nsp	nsp	CORD	JUMPER (0.6/52MM)	L045084006040S
MAIN	J320		nsp	nsp	CORD	JUMPER (0.6/52MM)	L045084006040S
MAIN	J321		nsp	nsp	CORD	JUMPER (0.6/52MM)	L045084006040S
MAIN	J322		nsp	nsp	CORD	JUMPER (0.6/52MM)	L045084006040S
MAIN	J323		nsp	nsp	CORD	JUMPER (0.6/52MM)	L045084006040S
MAIN	J324		nsp	nsp	CORD	JUMPER (0.6/52MM)	L045084006040S
MAIN	J325		nsp	nsp	CORD	JUMPER (0.6/52MM)	L045084006040S
MAIN	J326		nsp	nsp	CORD	JUMPER (0.6/52MM)	L045084006040S
MAIN	J327		nsp	nsp	CORD	JUMPER (0.6/52MM)	L045084006040S
MAIN	J328		nsp	nsp	CORD	JUMPER (0.6/52MM)	L045084006040S
MAIN	J329		nsp	nsp	CORD	JUMPER (0.6/52MM)	L045084006040S
MAIN	J330		nsp	nsp	CORD	JUMPER (0.6/52MM)	L045084006040S
MAIN	J331		nsp	00D9630223009	CHIP RES.	0-J,1/16W-1608REEL	C20000006M160F
MAIN	J340		nsp	00D9630223009	CHIP RES.	0-J,1/16W-1608REEL	C20000006M160F
MAIN	J341		nsp	00D9630223009	CHIP RES.	0-J,1/16W-1608REEL	C20000006M160F
MAIN	J342		nsp	00D9630223009	CHIP RES.	0-J,1/16W-1608REEL	C20000006M160F
MAIN	J343		nsp	00D9630223009	CHIP RES.	0-J,1/16W-1608REEL	C20000006M160F
MAIN	J344		nsp	00D9630223009	CHIP RES.	0-J,1/16W-1608REEL	C20000006M160F
MAIN	J345		nsp	00D9630223009	CHIP RES.	0-J,1/16W-1608REEL	C20000006M160F
MAIN	J346		nsp	00D9630223009	CHIP RES.	0-J,1/16W-1608REEL	C20000006M160F
MAIN	J347		nsp	00D9630223009	CHIP RES.	0-J,1/16W-1608REEL	C20000006M160F
MAIN	J348		nsp	00D9630223009	CHIP RES.	0-J,1/16W-1608REEL	C20000006M160F
MAIN	J349		nsp	00D9630223009	CHIP RES.	0-J,1/16W-1608REEL	C20000006M160F
MAIN	J350		nsp	nsp	CORD	JUMPER (0.6/52MM)	L045084006040S
MAIN	J351		nsp	00D9630223009	CHIP RES.	0-J,1/16W-1608REEL	C20000006M160F

NOTE : *nsp* PART IS LISTED FOR REFERENCE ONLY, MARANTZ WILL NOT SUPPLY THESE PARTS.

P.C.B. NAME	POS. NO.	VERS. COLOR	PART NO. (FOR EUR)	PART NO. (MZ)	PART NAME	DESCRIPTION	
MAIN	J352		nsp	00D9630223009	CHIP RES.	0-J,1/16W-1608REEL	C2000006M160F
MAIN	J353		nsp	00D9630223009	CHIP RES.	0-J,1/16W-1608REEL	C2000006M160F
MAIN	J355		nsp	nsp	CORD	JUMPER (0.6/52MM)	L045084006040S
MAIN	J357		nsp	nsp	CORD	JUMPER (0.6/52MM)	L045084006040S
MAIN	J362		nsp	nsp	CORD	JUMPER (0.6/52MM)	L045084006040S
MAIN	J363		nsp	nsp	CORD	JUMPER (0.6/52MM)	L045084006040S
MAIN	J364		nsp	nsp	CORD	JUMPER (0.6/52MM)	L045084006040S
MAIN	J365		nsp	00D9630223009	CHIP RES.	0-J,1/16W-1608REEL	C2000006M160F
MAIN	J366		nsp	00D9630223009	CHIP RES.	0-J,1/16W-1608REEL	C2000006M160F
MAIN	J367		nsp	nsp	CORD	JUMPER (0.6/52MM)	L045084006040S
MAIN	J368		nsp	nsp	CORD	JUMPER (0.6/52MM)	L045084006040S
MAIN	J369		nsp	nsp	CORD	JUMPER (0.6/52MM)	L045084006040S
MAIN	J370		nsp	00D9630223009	CHIP RES.	0-J,1/16W-1608REEL	C2000006M160F
MAIN	J371		nsp	nsp	CORD	JUMPER (0.6/52MM)	L045084006040S
MAIN	J372		nsp	nsp	CORD	JUMPER (0.6/52MM)	L045084006040S
MAIN	J373		nsp	nsp	CORD	JUMPER (0.6/52MM)	L045084006040S
MAIN	J374		nsp	nsp	CORD	JUMPER (0.6/52MM)	L045084006040S
MAIN	J375		nsp	nsp	CORD	JUMPER (0.6/52MM)	L045084006040S
MAIN	J376		nsp	nsp	CORD	JUMPER (0.6/52MM)	L045084006040S
MAIN	J377		nsp	nsp	CORD	JUMPER (0.6/52MM)	L045084006040S
MAIN	J378		nsp	nsp	CORD	JUMPER (0.6/52MM)	L045084006040S
MAIN	J379		nsp	00D9630223009	CHIP RES.	0-J,1/16W-1608REEL	C2000006M160F
MAIN	J380		nsp	nsp	CORD	JUMPER (0.6/52MM)	L045084006040S
MAIN	J381		nsp	nsp	CORD	JUMPER (0.6/52MM)	L045084006040S
MAIN	J382		nsp	nsp	CORD	JUMPER (0.6/52MM)	L045084006040S
MAIN	J383		nsp	nsp	CORD	JUMPER (0.6/52MM)	L045084006040S
MAIN	J384		nsp	nsp	CORD	JUMPER (0.6/52MM)	L045084006040S
MAIN	J385		nsp	nsp	CORD	JUMPER (0.6/52MM)	L045084006040S
MAIN	J386		nsp	nsp	CORD	JUMPER (0.6/52MM)	L045084006040S
MAIN	J387		nsp	nsp	CORD	JUMPER (0.6/52MM)	L045084006040S
MAIN	J388		nsp	nsp	CORD	JUMPER (0.6/52MM)	L045084006040S
MAIN	J389		nsp	nsp	CORD	JUMPER (0.6/52MM)	L045084006040S
MAIN	J390		nsp	nsp	CORD	JUMPER (0.6/52MM)	L045084006040S
MAIN	J391		nsp	nsp	CORD	JUMPER (0.6/52MM)	L045084006040S
MAIN	J392		nsp	nsp	CORD	JUMPER (0.6/52MM)	L045084006040S
MAIN	J393		nsp	nsp	CORD	JUMPER (0.6/52MM)	L045084006040S
MAIN	J394		nsp	nsp	CORD	JUMPER (0.6/52MM)	L045084006040S
MAIN	J398		nsp	00D9630223009	CHIP RES.	0-J,1/16W-1608REEL	C2000006M160F
MAIN	J399		nsp	00D9630223009	CHIP RES.	0-J,1/16W-1608REEL	C2000006M160F
MAIN	J400		nsp	00D9630223009	CHIP RES.	0-J,1/16W-1608REEL	C2000006M160F
MAIN	J401		nsp	nsp	CORD	JUMPER (0.6/52MM)	L045084006040S
MAIN	J403		nsp	nsp	CORD	JUMPER (0.6/52MM)	L045084006040S
MAIN	J405		nsp	nsp	CORD	JUMPER (0.6/52MM)	L045084006040S
MAIN	J406		nsp	nsp	CORD	JUMPER (0.6/52MM)	L045084006040S
MAIN	J407		nsp	nsp	CORD	JUMPER (0.6/52MM)	L045084006040S
MAIN	J408		nsp	00D9630223009	CHIP RES.	0-J,1/16W-1608REEL	C2000006M160F
MAIN	J409		nsp	nsp	CORD	JUMPER (0.6/52MM)	L045084006040S
MAIN	J410		nsp	nsp	CORD	JUMPER (0.6/52MM)	L045084006040S
MAIN	J411		nsp	nsp	CORD	JUMPER (0.6/52MM)	L045084006040S
MAIN	J414		nsp	nsp	CORD	JUMPER (0.6/52MM)	L045084006040S
MAIN	J415		nsp	nsp	CORD	JUMPER (0.6/52MM)	L045084006040S
MAIN	J418		nsp	nsp	CORD	JUMPER (0.6/52MM)	L045084006040S
MAIN	J420		nsp	nsp	CORD	JUMPER (0.6/52MM)	L045084006040S
MAIN	J421		nsp	nsp	CORD	JUMPER (0.6/52MM)	L045084006040S
MAIN	J422		nsp	nsp	CORD	JUMPER (0.6/52MM)	L045084006040S
MAIN	J423		nsp	nsp	CORD	JUMPER (0.6/52MM)	L045084006040S
MAIN	J424		nsp	nsp	CORD	JUMPER (0.6/52MM)	L045084006040S
MAIN	J425		nsp	nsp	CORD	JUMPER (0.6/52MM)	L045084006040S
MAIN	J426		nsp	nsp	CORD	JUMPER (0.6/52MM)	L045084006040S
MAIN	J427		nsp	nsp	CORD	JUMPER (0.6/52MM)	L045084006040S
MAIN	J428		nsp	00D9630223009	CHIP RES.	0-J,1/16W-1608REEL	C2000006M160F
MAIN	J429		nsp	nsp	CORD	JUMPER (0.6/52MM)	L045084006040S
MAIN	J430		nsp	00D9630223009	CHIP RES.	0-J,1/16W-1608REEL	C2000006M160F
MAIN	J431		nsp	00D9630223009	CHIP RES.	0-J,1/16W-1608REEL	C2000006M160F
MAIN	J432		nsp	00D9630223009	CHIP RES.	0-J,1/16W-1608REEL	C2000006M160F
MAIN	J433		nsp	nsp	CORD	JUMPER (0.6/52MM)	L045084006040S
MAIN	J434		nsp	nsp	CORD	JUMPER (0.6/52MM)	L045084006040S

NOTE : *nsp* PART IS LISTED FOR REFERENCE ONLY, MARANTZ WILL NOT SUPPLY THESE PARTS.

P.C.B. NAME	POS. NO.	VERS. COLOR	PART NO. (FOR EUR)	PART NO. (MZ)	PART NAME	DESCRIPTION	
MAIN	J435		nsp	nsp	CORD	JUMPER (0.6/52MM)	L045084006040S
MAIN	J436		nsp	nsp	CORD	JUMPER (0.6/52MM)	L045084006040S
MAIN	J437		nsp	nsp	CORD	JUMPER (0.6/52MM)	L045084006040S
MAIN	J438		nsp	nsp	CORD	JUMPER (0.6/52MM)	L045084006040S
MAIN	J439		nsp	nsp	CORD	JUMPER (0.6/52MM)	L045084006040S
MAIN	J440		nsp	nsp	CORD	JUMPER (0.6/52MM)	L045084006040S
MAIN	J441		nsp	nsp	CORD	JUMPER (0.6/52MM)	L045084006040S
MAIN	J442		nsp	nsp	CORD	JUMPER (0.6/52MM)	L045084006040S
MAIN	J443		nsp	nsp	CORD	JUMPER (0.6/52MM)	L045084006040S
MAIN	J444		nsp	nsp	CORD	JUMPER (0.6/52MM)	L045084006040S
MAIN	J445		nsp	nsp	CORD	JUMPER (0.6/52MM)	L045084006040S
MAIN	J446		nsp	00D9630223009	CHIP RES.	0-J,1/16W-1608REEL	C2000006M160F
MAIN	J447		nsp	nsp	CORD	JUMPER (0.6/52MM)	L045084006040S
MAIN	J449		nsp	00D9630223009	CHIP RES.	0-J,1/16W-1608REEL	C2000006M160F
MAIN	J450		nsp	00D9630223009	CHIP RES.	0-J,1/16W-1608REEL	C2000006M160F
MAIN	J451		nsp	nsp	CORD	JUMPER (0.6/52MM)	L045084006040S
MAIN	J452		nsp	00D9630223009	CHIP RES.	0-J,1/16W-1608REEL	C2000006M160F
MAIN	J453		nsp	00D9630223009	CHIP RES.	0-J,1/16W-1608REEL	C2000006M160F
MAIN	J454		nsp	nsp	CORD	JUMPER (0.6/52MM)	L045084006040S
MAIN	J900		nsp	nsp	CORD	JUMPER (0.6/52MM)	L045084006040S
MAIN	J901		nsp	nsp	CORD	JUMPER (0.6/52MM)	L045084006040S
MAIN	J902		nsp	nsp	CORD	JUMPER (0.6/52MM)	L045084006040S
MAIN	J903		nsp	nsp	CORD	JUMPER (0.6/52MM)	L045084006040S
MAIN	J904		nsp	nsp	CORD	JUMPER (0.6/52MM)	L045084006040S
MAIN	J909		nsp	nsp	CORD	JUMPER (0.6/52MM)	L045084006040S
MAIN	J910		nsp	nsp	CORD	JUMPER (0.6/52MM)	L045084006040S
MAIN	J911		nsp	nsp	CORD	JUMPER (0.6/52MM)	L045084006040S
MAIN	J912		nsp	nsp	CORD	JUMPER (0.6/52MM)	L045084006040S
MAIN	J913		nsp	nsp	CORD	JUMPER (0.6/52MM)	L045084006040S
MAIN	J914		nsp	nsp	CORD	JUMPER (0.6/52MM)	L045084006040S
MAIN	J915		nsp	nsp	CORD	JUMPER (0.6/52MM)	L045084006040S
MAIN	J918		nsp	nsp	CORD	JUMPER (0.6/52MM)	L045084006040S
MAIN	J919		nsp	nsp	CORD	JUMPER (0.6/52MM)	L045084006040S
MAIN	J923		nsp	nsp	CORD	JUMPER (0.6/52MM)	L045084006040S
MAIN	J924		nsp	nsp	CORD	JUMPER (0.6/52MM)	L045084006040S
MAIN	J925		nsp	nsp	CORD	JUMPER (0.6/52MM)	L045084006040S
MAIN	J927		nsp	nsp	CORD	JUMPER (0.6/52MM)	L045084006040S
MAIN	J928		nsp	nsp	CORD	JUMPER (0.6/52MM)	L045084006040S
MAIN	J930		nsp	00D9630223009	CHIP RES.	0-J,1/16W-1608REEL	C2000006M160F
MAIN	J931		nsp	nsp	CORD	JUMPER (0.6/52MM)	L045084006040S
MAIN	J932		nsp	nsp	CORD	JUMPER (0.6/52MM)	L045084006040S
MAIN	J933		nsp	nsp	CORD	JUMPER (0.6/52MM)	L045084006040S
MAIN	J935		nsp	nsp	CORD	JUMPER (0.6/52MM)	L045084006040S
MAIN	J937		nsp	nsp	CORD	JUMPER (0.6/52MM)	L045084006040S
MAIN	J938		nsp	nsp	CORD	JUMPER (0.6/52MM)	L045084006040S
MAIN	J939		nsp	nsp	CORD	JUMPER (0.6/52MM)	L045084006040S
MAIN	J940		nsp	nsp	CORD	JUMPER (0.6/52MM)	L045084006040S
MAIN	J941		nsp	00D9630223009	CHIP RES.	0-J,1/16W-1608REEL	C2000006M160F
MAIN	J942		nsp	nsp	CORD	JUMPER (0.6/52MM)	L045084006040S
MAIN	J943		nsp	nsp	CORD	JUMPER (0.6/52MM)	L045084006040S
MAIN	J944		nsp	nsp	CORD	JUMPER (0.6/52MM)	L045084006040S
MAIN	J945		nsp	nsp	CORD	JUMPER (0.6/52MM)	L045084006040S
MAIN	J948		nsp	nsp	CORD	JUMPER (0.6/52MM)	L045084006040S
MAIN	J949		nsp	nsp	CORD	JUMPER (0.6/52MM)	L045084006040S
MAIN	J950		nsp	nsp	CORD	JUMPER (0.6/52MM)	L045084006040S
MAIN	J951		nsp	nsp	CORD	JUMPER (0.6/52MM)	L045084006040S
MAIN	J952		nsp	nsp	CORD	JUMPER (0.6/52MM)	L045084006040S
MAIN	JACK104		90M-YT004550R	90M-YT004550R	TERMINAL	15P FEMALE CONN. ANGLE	L103150080030F
MAIN	JACK109		00D9630225803	00D9630225803	TERMINAL	RCA-206B-05 CINCH 2P AUDIO	G601206B0500YS
MAIN	JACK300		00D9630225706	00D9630225706	TERMINAL	RCA-107A0 CINCH 1P COAXIAL	G600107A0001YS
MAIN	JACK301		90M-YT004540R	90M-YT004540R	TERMINAL	RCA-207AE-07 CINCH 2P	G601207AE070YS
MAIN	OPT300		00D9630225104	00D9630225104	OPT. CONN.	JST1165-B 96K SHUTTER	E100116500030S
MAIN	OPT301		00D9630225104	00D9630225104	OPT. CONN.	JST1165-B 96K SHUTTER	E100116500030S
MAIN	Q109		90M-BA001540R	90M-BA001540R	CHIP TRS.	KRA101S R1,R2=4.7K 0.2W	J520010100010S
MAIN	Q110		00D9630066606	00D9630066606	CHIP TRS.	KTC3875Y(ALY) 0.15W	J5223875Y0210S
MAIN	Q111		00D9600111808	00D9600111808	TRS.	TR CHIP KRC107S SOT23	J5020107S0050S
MAIN	Q112L		00D9630044301	00D9630044301	CHIP TRS.	KTC2875B(MB) 0.15W SOT23(RTK)	J5222875B0010S

NOTE : *nsp* PART IS LISTED FOR REFERENCE ONLY, MARANTZ WILL NOT SUPPLY THESE PARTS.

P.C.B. NAME	POS. NO.	VERS. COLOR	PART NO. (FOR EUR)	PART NO. (MZ)	PART NAME	DESCRIPTION
MAIN	Q112R		00D9630044301	00D9630044301	CHIP TRS.	KTC2875B(MB) 0.15W SOT23(RTK) J5222875B0010S
MAIN	Q114L		00D9630044301	00D9630044301	CHIP TRS.	KTC2875B(MB) 0.15W SOT23(RTK) J5222875B0010S
MAIN	Q114R		00D9630044301	00D9630044301	CHIP TRS.	KTC2875B(MB) 0.15W SOT23(RTK) J5222875B0010S
MAIN	Q115		00MHT800921B0	00MHT800921B0	TRS.	KTC3199Y,0.4W/TO90M-REEL J5023199Y0010S
MAIN	Q116		90M-BA001230R	90M-BA001230R	CHIP TRS.	KRA102S(PB) 0.2W/SOT-23 REEL J520010200210S
MAIN	Q117		90M-BA001230R	90M-BA001230R	CHIP TRS.	KRA102S(PB) 0.2W/SOT-23 REEL J520010200210S
MAIN	Q119		90M-BA001230R	90M-BA001230R	CHIP TRS.	KRA102S(PB) 0.2W/SOT-23 REEL J520010200210S
MAIN	Q300		00D9630066606	00D9630066606	CHIP TRS.	KTC3875Y(ALY) 0.15W/SMT-REEL J5223875Y0210S
MAIN	Q301		00D9600285006	00D9600285006	CHIP TRS.	KRC104S (ND)/SOT-23 REEL J522104S00210S
MAIN	Q304		00D9630102803	00D9630102803	TRS.	2SA933S,0.3W/TO92M-REEL J5000933S0050S
MAIN	Q305		90M-BA001190R	90M-BA001190R	TRS.	KRC107M,0.4W/TO92M-REEL J6020107M0010S
MAIN	Q306		00D9630066606	00D9630066606	CHIP TRS.	KTC3875Y(ALY) 0.15W/SMT-REEL J5223875Y0210S
MAIN	Q307		00D9630226909	00D9630226909	CHIP TRS.	KRC114S (NP) 0.2W/SOT-23 REEL J522011400210S
MAIN	Q308		00D9630102803	00D9630102803	TRS.	2SA933S,0.3W/TO92M-REEL J5000933S0050S
MAIN	Q309		00D9600111808	00D9600111808	TRS.	TR CHIP KRC107S SOT23 J5020107S0050S
MAIN	Q900		00D9630066606	00D9630066606	CHIP TRS.	KTC3875Y(ALY) 0.15W/SMT-REEL J5223875Y0210S
MAIN	Q901		00D9630066606	00D9630066606	CHIP TRS.	KTC3875Y(ALY) 0.15W/SMT-REEL J5223875Y0210S
MAIN	Q902		00D9630066606	00D9630066606	CHIP TRS.	KTC3875Y(ALY) 0.15W/SMT-REEL J5223875Y0210S
MAIN	Q909		00D9630226705	00D9630226705	TRS.	KTC1027Y,1W/TO92L-REEL J5021027Y0020S
MAIN	R105		nsp	00MNN05101610	CHIP RES.	100-J,1/16W-1608REEL C20001016M160F
MAIN	R119L		nsp	nsp	RES.	1.8K-J,1/5W-52RE-AX C00001826P520F
MAIN	R119R		nsp	nsp	RES.	1.8K-J,1/5W-52RE-AX C00001826P520F
MAIN	R121L		nsp	nsp	RES.	1.8K-J,1/5W-52RE-AX C00001826P520F
MAIN	R121R		nsp	nsp	RES.	1.8K-J,1/5W-52RE-AX C00001826P520F
MAIN	R129		nsp	00MNN05103610	CHIP RES.	10K-J,1/16W-1608REEL C20001036M160F
MAIN	R130L		nsp	nsp	RES.	2K-J,1/5W-52RE-AX C00002026P520F
MAIN	R130R		nsp	nsp	RES.	2K-J,1/5W-52RE-AX C00002026P520F
MAIN	R131		nsp	00MNN05103610	CHIP RES.	10K-J,1/16W-1608REEL C20001036M160F
MAIN	R135L		nsp	nsp	RES.	2K-J,1/5W-52RE-AX C00002026P520F
MAIN	R135R		nsp	nsp	RES.	2K-J,1/5W-52RE-AX C00002026P520F
MAIN	R136		nsp	00MNN05750610	CHIP RES.	75-J,1/16W-1608REEL C20007506M160F
MAIN	R137L		nsp	nsp	RES.	2K-J,1/5W-52RE-AX C00002026P520F
MAIN	R137R		nsp	nsp	RES.	2K-J,1/5W-52RE-AX C00002026P520F
MAIN	R138L		nsp	nsp	RES.	2K-J,1/5W-52RE-AX C00002026P520F
MAIN	R138R		nsp	nsp	RES.	2K-J,1/5W-52RE-AX C00002026P520F
MAIN	R146		nsp	00MNN05103610	CHIP RES.	10K-J,1/16W-1608REEL C20001036M160F
MAIN	R147		nsp	nsp	RES.	47K-J,1/5W-52RE-AX C00004736P520F
MAIN	R148		nsp	nsp	RES.	47K-J,1/5W-52RE-AX C00004736P520F
MAIN	R152L		nsp	nsp	RES.	200-J,1/5W-52RE-AX C00002016P520F
MAIN	R152R		nsp	nsp	RES.	200-J,1/5W-52RE-AX C00002016P520F
MAIN	R154L		nsp	nsp	RES.	47K-J,1/5W-52RE-AX C00004736P520F
MAIN	R154R		nsp	nsp	RES.	47K-J,1/5W-52RE-AX C00004736P520F
MAIN	R155		nsp	nsp	RES.	4.7K-J,1/5W-52RE-AX C00004726P520F
MAIN	R156		nsp	00MNN05100610	CHIP RES.	10-J,1/16W-1608REEL C20001006M160F
MAIN	R157		nsp	00MNN05100610	CHIP RES.	10-J,1/16W-1608REEL C20001006M160F
MAIN	R158		nsp	00MNN05100610	CHIP RES.	10-J,1/16W-1608REEL C20001006M160F
MAIN	R159		nsp	nsp	RES.	4.7K-J,1/5W-52RE-AX C00004726P520F
MAIN	R160		nsp	nsp	RES.	4.7K-J,1/5W-52RE-AX C00004726P520F
MAIN	R161		nsp	nsp	RES.	4.7K-J,1/5W-52RE-AX C00004726P520F
MAIN	R163		nsp	nsp	RES.	47K-J,1/5W-52RE-AX C00004736P520F
MAIN	R164		nsp	nsp	RES.	47K-J,1/5W-52RE-AX C00004736P520F
MAIN	R165		nsp	00MNN05224610	CHIP RES.	220K-J,1/16W-1608REEL C20002246M160F
MAIN	R166		nsp	00MNN05102610	CHIP RES.	1K-J,1/16W-1608REEL C20001026M160F
MAIN	R167		nsp	00MNN05102610	CHIP RES.	1K-J,1/16W-1608REEL C20001026M160F
MAIN	R168		nsp	00MNN05103610	CHIP RES.	10K-J,1/16W-1608REEL C20001036M160F
MAIN	R168L		nsp	00MNN05332610	CHIP RES.	3.3K-J,1/16W-1608REEL C20003326M160F
MAIN	R168R		nsp	00MNN05332610	CHIP RES.	3.3K-J,1/16W-1608REEL C20003326M160F
MAIN	R169L		nsp	00MNN05332610	CHIP RES.	3.3K-J,1/16W-1608REEL C20003326M160F
MAIN	R169R		nsp	00MNN05332610	CHIP RES.	3.3K-J,1/16W-1608REEL C20003326M160F
MAIN	R171		nsp	00MNN05100610	CHIP RES.	10-J,1/16W-1608REEL C20001006M160F
MAIN	R174L		nsp	nsp	RES.	1K-J,1/5W-52RE-AX C00001026P520F
MAIN	R174R		nsp	nsp	RES.	1K-J,1/5W-52RE-AX C00001026P520F
MAIN	R176L		nsp	nsp	RES.	1K-J,1/5W-52RE-AX C00001026P520F
MAIN	R176R		nsp	nsp	RES.	1K-J,1/5W-52RE-AX C00001026P520F
MAIN	R178		nsp	00MNN05100610	CHIP RES.	10-J,1/16W-1608REEL C20001006M160F
MAIN	R179		nsp	00MNN05102610	CHIP RES.	1K-J,1/16W-1608REEL C20001026M160F
MAIN	R181L		nsp	nsp	RES.	470-J,1/5W-52RE-AX C00004716P520F

NOTE : *nsp* PART IS LISTED FOR REFERENCE ONLY, MARANTZ WILL NOT SUPPLY THESE PARTS.

P.C.B. NAME	POS. NO.	VERS. COLOR	PART NO. (FOR EUR)	PART NO. (MZ)	PART NAME	DESCRIPTION	
MAIN	R181R		nsp	nsp	RES.	470-J,1/5W-52RE-AX	C00004716P520F
MAIN	R187		nsp	00D9630223009	CHIP RES.	0-J,1/16W-1608REEL	C20000006M160F
MAIN	R188		nsp	00D9630223009	CHIP RES.	0-J,1/16W-1608REEL	C20000006M160F
MAIN	R189		nsp	00D9630223009	CHIP RES.	0-J,1/16W-1608REEL	C20000006M160F
MAIN	R190		nsp	00D9630223009	CHIP RES.	0-J,1/16W-1608REEL	C20000006M160F
MAIN	R195		nsp	nsp	RES.	47K-J,1/5W-52RE-AX	C00004736P520F
MAIN	R196		nsp	00D9630223009	CHIP RES.	0-J,1/16W-1608REEL	C20000006M160F
MAIN	R197		nsp	00MNN05101610	CHIP RES.	100-J,1/16W-1608REEL	C20001016M160F
MAIN	R198		nsp	00MNN05101610	CHIP RES.	100-J,1/16W-1608REEL	C20001016M160F
MAIN	R199		nsp	00MNN05101610	CHIP RES.	100-J,1/16W-1608REEL	C20001016M160F
MAIN	R200		nsp	00MNN05101610	CHIP RES.	100-J,1/16W-1608REEL	C20001016M160F
MAIN	R204		nsp	00MNN05181610	CHIP RES.	180-J,1/16W-1608REEL	C20001816M160F
MAIN	R205		nsp	00MNN05181610	CHIP RES.	180-J,1/16W-1608REEL	C20001816M160F
MAIN	R206		nsp	nsp	RES.	47-J,1/5W-52RE-AX	C00004706P520F
MAIN	R207		nsp	00D9630223009	CHIP RES.	0-J,1/16W-1608REEL	C20000006M160F
MAIN	R208		nsp	00D9630223009	CHIP RES.	0-J,1/16W-1608REEL	C20000006M160F
MAIN	R209		nsp	00D9630223009	CHIP RES.	0-J,1/16W-1608REEL	C20000006M160F
MAIN	R210		nsp	00MNN05103610	CHIP RES.	10K-J,1/16W-1608REEL	C20001036M160F
MAIN	R211		nsp	00MNN05274610	CHIP RES.	270K-J,1/16W-1608REEL	C20002746M160F
MAIN	R212L		nsp	nsp	RES.	47K-J,1/5W-52RE-AX	C00004736P520F
MAIN	R212R		nsp	nsp	RES.	47K-J,1/5W-52RE-AX	C00004736P520F
MAIN	R213L		nsp	nsp	RES.	47K-J,1/5W-52RE-AX	C00004736P520F
MAIN	R213R		nsp	nsp	RES.	47K-J,1/5W-52RE-AX	C00004736P520F
MAIN	R215		nsp	nsp	RES.	47K-J,1/5W-52RE-AX	C00004736P520F
MAIN	R216		nsp	nsp	RES.	47-J,1/5W-52RE-AX	C00004706P520F
MAIN	R217		nsp	00MNN05470610	CHIP RES.	47-J,1/16W-1608REEL	C20004706M160F
MAIN	R218		nsp	00MNN05470610	CHIP RES.	47-J,1/16W-1608REEL	C20004706M160F
MAIN	R219		nsp	00MNN05103610	CHIP RES.	10K-J,1/16W-1608REEL	C20001036M160F
MAIN	R220		nsp	nsp	RES.	47-J,1/5W-52RE-AX	C00004706P520F
MAIN	R222		nsp	nsp	RES.	47K-J,1/5W-52RE-AX	C00004736P520F
MAIN	R223		nsp	00MNN05470610	CHIP RES.	47-J,1/16W-1608REEL	C20004706M160F
MAIN	R224		nsp	00MNN05470610	CHIP RES.	47-J,1/16W-1608REEL	C20004706M160F
MAIN	R225		nsp	nsp	RES.	18K-J,1/5W-52RE-AX	C00001836P520F
MAIN	R226		nsp	nsp	RES.	47K-J,1/5W-52RE-AX	C00004736P520F
MAIN	R227		nsp	nsp	RES.	100-J,1/5W-52RE	C00001016P520F
MAIN	R229		nsp	nsp	RES.	2.2-J,1/5W-52RE-AX	C0002R206P520F
MAIN	R230		nsp	nsp	RES.	2.2-J,1/5W-52RE-AX	C0002R206P520F
MAIN	R250		nsp	nsp	RES.	200-J,1/5W-52RE-AX	C00002016P520F
MAIN	R251		nsp	nsp	RES.	200-J,1/5W-52RE-AX	C00002016P520F
MAIN	R300		nsp	nsp	RES.	2.2-J,1/5W-52RE-AX	C0002R206P520F
MAIN	R303		nsp	00MNN05101610	CHIP RES.	100-J,1/16W-1608REEL	C20001016M160F
MAIN	R304		nsp	00MNN05101610	CHIP RES.	100-J,1/16W-1608REEL	C20001016M160F
MAIN	R305		nsp	00MNN05101610	CHIP RES.	100-J,1/16W-1608REEL	C20001016M160F
MAIN	R306		nsp	00MNN05101610	CHIP RES.	100-J,1/16W-1608REEL	C20001016M160F
MAIN	R307		nsp	00MNN05101610	CHIP RES.	100-J,1/16W-1608REEL	C20001016M160F
MAIN	R308		nsp	00D9630223009	CHIP RES.	0-J,1/16W-1608REEL	C20000006M160F
MAIN	R309		nsp	00D9630223009	CHIP RES.	0-J,1/16W-1608REEL	C20000006M160F
MAIN	R310		nsp	00D9630223009	CHIP RES.	0-J,1/16W-1608REEL	C20000006M160F
MAIN	R311		nsp	00D9630223009	CHIP RES.	0-J,1/16W-1608REEL	C20000006M160F
MAIN	R315		nsp	nsp	RES.	100-J,1/5W-52RE	C00001016P520F
MAIN	R316		nsp	nsp	RES.	100-J,1/5W-52RE	C00001016P520F
MAIN	R318		nsp	00MNN05101610	CHIP RES.	100-J,1/16W-1608REEL	C20001016M160F
MAIN	R320		nsp	nsp	RES.	2.2-J,1/5W-52RE-AX	C0002R206P520F
MAIN	R321		nsp	nsp	RES.	100-J,1/5W-52RE	C00001016P520F
MAIN	R322		nsp	00MNN05103610	CHIP RES.	10K-J,1/16W-1608REEL	C20001036M160F
MAIN	R323		nsp	00MNN05103610	CHIP RES.	10K-J,1/16W-1608REEL	C20001036M160F
MAIN	R324		nsp	00MNN05472610	CHIP RES.	4.7K-J,1/16W-1608REEL	C20004726M160F
MAIN	R325		nsp	00MNN05224610	CHIP RES.	220K-J,1/16W-1608REEL	C20002246M160F
MAIN	R326		nsp	00MNN05102610	CHIP RES.	1K-J,1/16W-1608REEL	C20001026M160F
MAIN	R327		nsp	00MNN05103610	CHIP RES.	10K-J,1/16W-1608REEL	C20001036M160F
MAIN	R328		nsp	00MNN05104610	CHIP RES.	100K-J,1/16W-1608REEL	C20001046M160F
MAIN	R329		nsp	00MNN05472610	CHIP RES.	4.7K-J,1/16W-1608REEL	C20004726M160F
MAIN	R334		nsp	00D9630223009	CHIP RES.	0-J,1/16W-1608REEL	C20000006M160F
MAIN	R340		nsp	00MNN05103610	CHIP RES.	10K-J,1/16W-1608REEL	C20001036M160F
MAIN	R341		nsp	00MNN05103610	CHIP RES.	10K-J,1/16W-1608REEL	C20001036M160F
MAIN	R342		nsp	00MNN05103610	CHIP RES.	10K-J,1/16W-1608REEL	C20001036M160F
MAIN	R345		nsp	00MNN05473610	CHIP RES.	47K-J,1/16W-1608REEL	C20004736M160F

NOTE : *nsp* PART IS LISTED FOR REFERENCE ONLY, MARANTZ WILL NOT SUPPLY THESE PARTS.

P.C.B. NAME	POS. NO.	VERS. COLOR	PART NO. (FOR EUR)	PART NO. (MZ)	PART NAME	DESCRIPTION	
MAIN	R347		nsp	00MNN05101610	CHIP RES.	100-J,1/16W-1608REEL	C20001016M160F
MAIN	R349		nsp	00MNN05101610	CHIP RES.	100-J,1/16W-1608REEL	C20001016M160F
MAIN	R352		nsp	nsp	RES.	2.2-J,1/5W-52RE-AX	C0002R206P520F
MAIN	R353		nsp	nsp	RES.	1-J,1/5W-52RE-AX	C00000106P520F
MAIN	R354		nsp	nsp	RES.	2.2-J,1/5W-52RE-AX	C0002R206P520F
MAIN	R355		nsp	nsp	RES.	2.2-J,1/5W-52RE-AX	C0002R206P520F
MAIN	R356		nsp	00MNN05471610	CHIP RES.	470-J,1/16W-1608REEL	C20004716M160F
MAIN	R357		nsp	00MNN05471610	CHIP RES.	470-J,1/16W-1608REEL	C20004716M160F
MAIN	R358		nsp	00MNN05471610	CHIP RES.	470-J,1/16W-1608REEL	C20004716M160F
MAIN	R359		nsp	00MNN05471610	CHIP RES.	470-J,1/16W-1608REEL	C20004716M160F
MAIN	R360		nsp	nsp	RES.	470-J,1/5W-52RE-AX	C00004716P520F
MAIN	R361		nsp	nsp	RES.	470-J,1/5W-52RE-AX	C00004716P520F
MAIN	R362		nsp	00MNN05473610	CHIP RES.	47K-J,1/16W-1608REEL	C20004736M160F
MAIN	R363		nsp	00MNN05473610	CHIP RES.	47K-J,1/16W-1608REEL	C20004736M160F
MAIN	R364		nsp	00MNN05102610	CHIP RES.	1K-J,1/16W-1608REEL	C20001026M160F
MAIN	R365		nsp	nsp	RES.	10K-J,1/5W-52RE-AX	C00001036P520F
MAIN	R366		nsp	00MNN05183610	CHIP RES.	18K-J,1/16W-1608REEL	C20001836M160F
MAIN	R367		nsp	00MNN05183610	CHIP RES.	18K-J,1/16W-1608REEL	C20001836M160F
MAIN	R368		nsp	00MNN05473610	CHIP RES.	47K-J,1/16W-1608REEL	C20004736M160F
MAIN	R369		nsp	nsp	RES.	470-J,1/5W-52RE-AX	C00004716P520F
MAIN	R370		nsp	00MNN05022610	CHIP RES.	2.2-J,1/16W-1608REEL	C2002R206M160F
MAIN	R374		nsp	00MNN05101610	CHIP RES.	100-J,1/16W-1608REEL	C20001016M160F
MAIN	R375		nsp	00MNN05101610	CHIP RES.	100-J,1/16W-1608REEL	C20001016M160F
MAIN	R377		nsp	00MNN05103610	CHIP RES.	10K-J,1/16W-1608REEL	C20001036M160F
MAIN	R378		nsp	00MNN05103610	CHIP RES.	10K-J,1/16W-1608REEL	C20001036M160F
MAIN	R379		nsp	00MNN05103610	CHIP RES.	10K-J,1/16W-1608REEL	C20001036M160F
MAIN	R380		nsp	00MNN05472610	CHIP RES.	4.7K-J,1/16W-1608REEL	C20004726M160F
MAIN	R381		nsp	00MNN05472610	CHIP RES.	4.7K-J,1/16W-1608REEL	C20004726M160F
MAIN	R382		nsp	nsp	RES.	1K-J,1/5W-52RE-AX	C00001026P520F
MAIN	R383		nsp	00MNN05103610	CHIP RES.	10K-J,1/16W-1608REEL	C20001036M160F
MAIN	R384		nsp	00MNN05103610	CHIP RES.	10K-J,1/16W-1608REEL	C20001036M160F
MAIN	R561		nsp	nsp	RES.	10-J,1/5W-52RE-AX	C00001006P520F
MAIN	R562		nsp	nsp	RES.	10-J,1/5W-52RE-AX	C00001006P520F
MAIN	R564		nsp	nsp	RES.	4.7K-J,1/5W-52RE-AX	C00004726P520F
MAIN	R571		nsp	00MNN05101610	CHIP RES.	100-J,1/16W-1608REEL	C20001016M160F
MAIN	R577		nsp	00MNN05101610	CHIP RES.	100-J,1/16W-1608REEL	C20001016M160F
MAIN	R902		nsp	00MNN05472610	CHIP RES.	4.7K-J,1/16W-1608REEL	C20004726M160F
MAIN	R903		nsp	nsp	RES.	39-J,1/4W-R.REEL	C060039063050S
MAIN	R907		nsp	nsp	RES.	22-J,1W R-REEL	C060022065060S
MAIN	R909		nsp	00MNN05472610	CHIP RES.	4.7K-J,1/16W-1608REEL	C20004726M160F
MAIN	R910		nsp	nsp	RES.	2.7K-J,1/5W-52RE-AX	C00002726P520F
MAIN	R911		nsp	00MNN05124610	CHIP RES.	120K-J,1/16W-1608REEL	C20001246M160F
MAIN	R912		nsp	00MNN05393610	CHIP RES.	39K-J,1/16W-1608REEL	C20003936M160F
MAIN	R913		nsp	00MNN05223610	CHIP RES.	22K-J,1/16W-1608REEL	C20002236M160F
MAIN	R914		nsp	00MNN05472610	CHIP RES.	4.7K-J,1/16W-1608REEL	C20004726M160F
MAIN	R918		nsp	00MNN05473610	CHIP RES.	47K-J,1/16W-1608REEL	C20004736M160F
MAIN	R919		nsp	00MNN05473610	CHIP RES.	47K-J,1/16W-1608REEL	C20004736M160F
MAIN	RELAY100		00D9630218409	00D9630218409	RELAY	BC3-12 24V 2A (SMALL SIGNAL)	G680240202030F
MAIN	▲ RELAY900		90M-LY000390R	90M-LY000390R	RELAY	! G5PA-1 DC6V 5A	G680060502010S
MAIN	SW301		90M-SS000700R	90M-SS000700R	SW	SSAF112NA011	G060112011010
MAIN	T300		00D9630025207	00D9630025207	COIL	COIL TRANS MATCHING	D300010250000S
MAIN	▲ T900		00D9630222709	00D9630222709	TRANSF.	! STAND BY 230V/50HZ 35*15	8200350150180S
MAIN	XTAL300		00D9630225201	00D9630225201	X'TAL	CSTLS4M00G53-A0 4.000MHZ	E830400000020
MAIN	XTAL301		90M-JX000750R	90M-JX000750R	X'TAL	32.768KHZ,CFS308-CL;12.5P	E80032R768050S
MAIN	XTAL502		00D9630217604	00D9630217604	X'TAL	4.332MHZ,HC-49U CL=20.8PF	E800433200100S
MAIN	ZD300		00D9630047502	00D9630047502	ZENER DIODE	MTZJ3.3B-0.5W/5MA-52MM	K06003R344520S
MAIN	ZD900		00D9600132803	00D9600132803	ZENER DIODE	MTZJ4.7B-0.5W/5MA-52MM	K06004R744520S
MAIN	ZD901		00D9630046202	00D9630046202	ZENER DIODE	MTZJ18B-0.5W/5MA-52MM	K06018R044520S
MAIN	ZD904		00D9630046202	00D9630046202	ZENER DIODE	MTZJ18B-0.5W/5MA-52MM	K06018R044520S
MAIN	ZD905		90M-HD302320R	90M-HD302320R	ZENER DIODE	MTZJ6.2B-0.5W/5MA-52MM	K06006R244520S
					POWERKEY B'D (POWER KEY PWB)		
P-KEY	CN200		nsp	nsp	CORD	50MM/6P GIL-S-06	L000500060010F
P-KEY	J354		nsp	00D9630223009	CHIP RES.	0-J,1/16W-1608REEL	C20000006M160F
P-KEY	LED105		90M-HI101150R	90M-HI100980R	L.E.D.	P15-RD,GR/HDL50RG,DUAL	K500052003090S
P-KEY	Q108		90M-BA001550R	90M-BA001550R	CHIP TRS.	KRC110S (NK) 0.2W/SOT-23 REEL	J522011000210
P-KEY	Q112		90M-BA001550R	90M-BA001550R	CHIP TRS.	KRC110S (NK) 0.2W/SOT-23 REEL	J522011000210
P-KEY	R116		nsp	nsp	RES.	560-J,1/5W-52RE-AX	C00005616P520F

NOTE : "nsp" PART IS LISTED FOR REFERENCE ONLY, MARANTZ WILL NOT SUPPLY THESE PARTS.

P.C.B. NAME	POS. NO.	VERS. COLOR	PART NO. (FOR EUR)	PART NO. (MZ)	PART NAME	DESCRIPTION
P-KEY	R117		nsp	nsp	RES.	560-J,1/5W-52RE-AX C00005616P520F
P-KEY	S101		00D9630045708	00D9630045708	SW	SKHV10920A,5MM/260G-REEL G180000270010S

NOTE : *nsp* PART IS LISTED FOR REFERENCE ONLY, MARANTZ WILL NOT SUPPLY THESE PARTS.